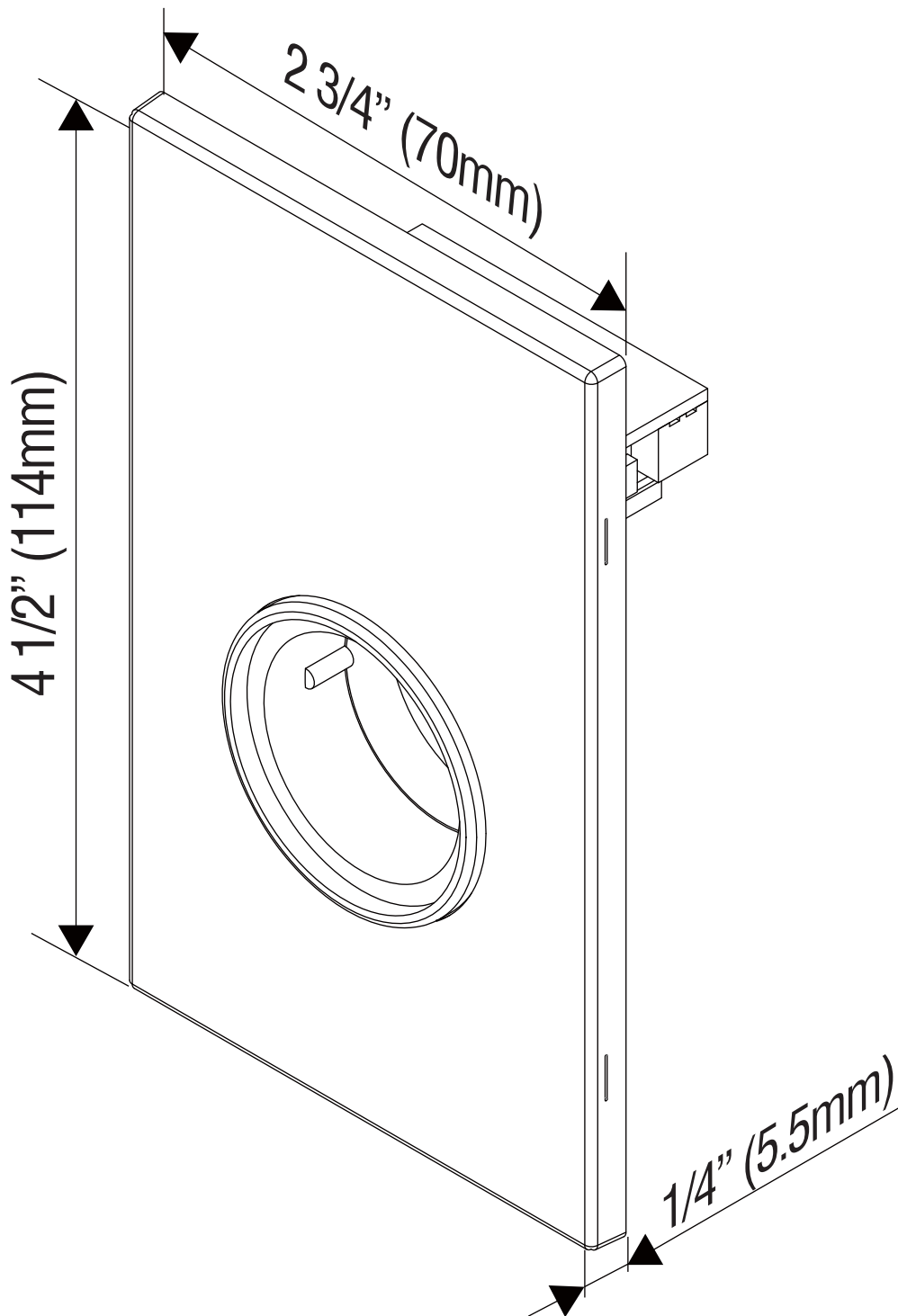


# Dimension

---

**KS-750/760**



All dimensions in mm