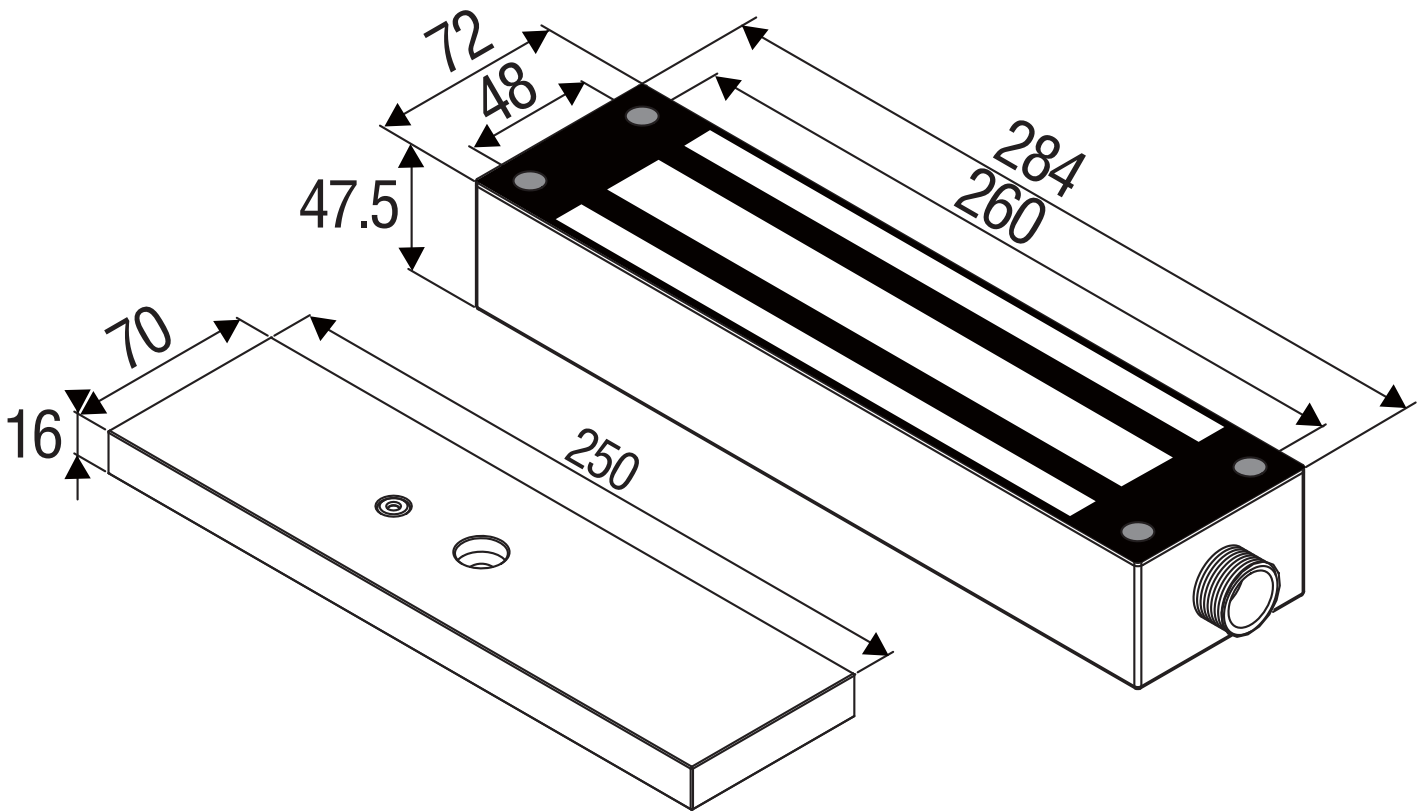


# Dimension

---

**GL-1800F-IOTB**  
**GL-1800FM-IOTB-12**



All dimensions in mm