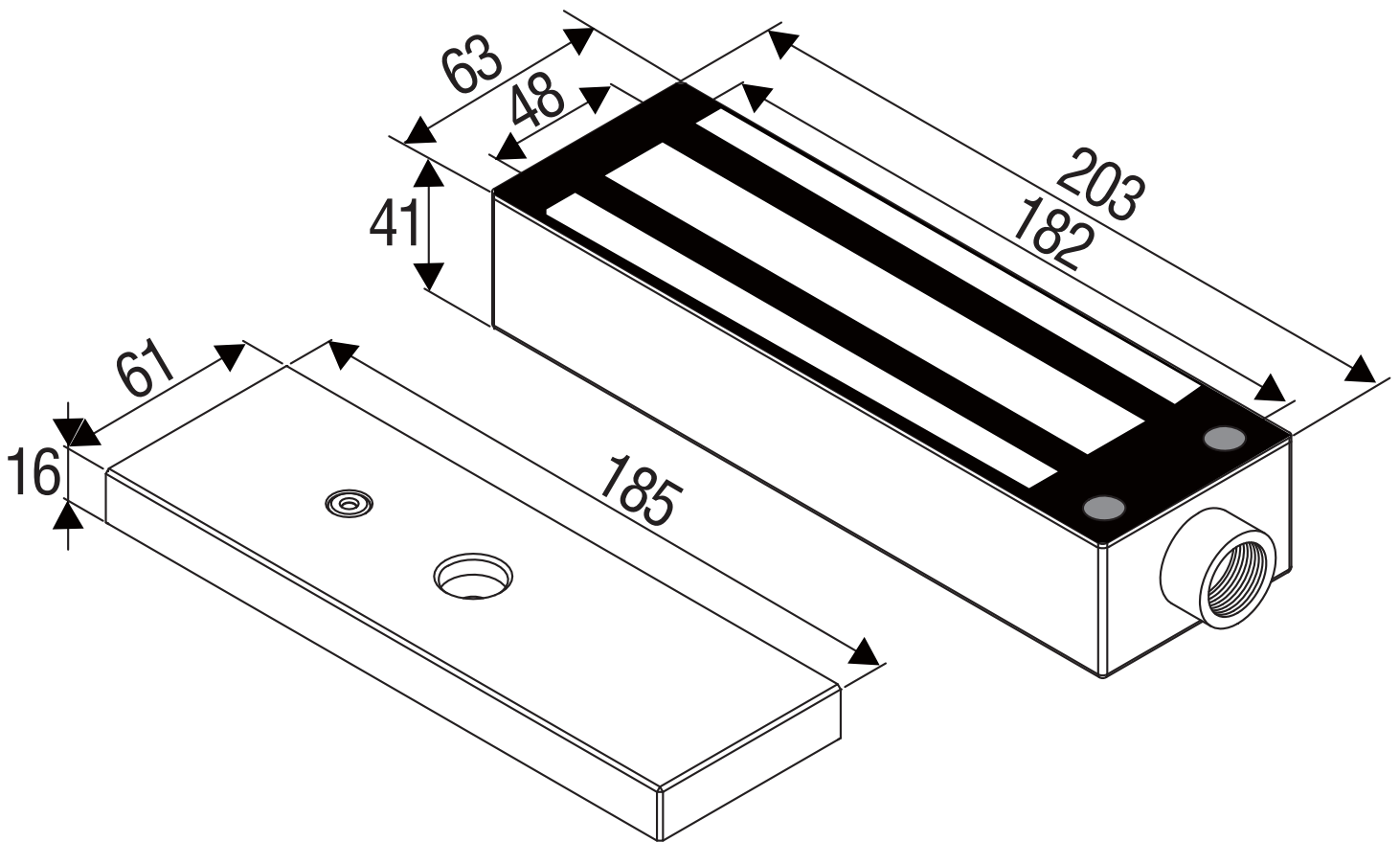


# Dimension

---

**GL-1200F**



All dimensions in mm