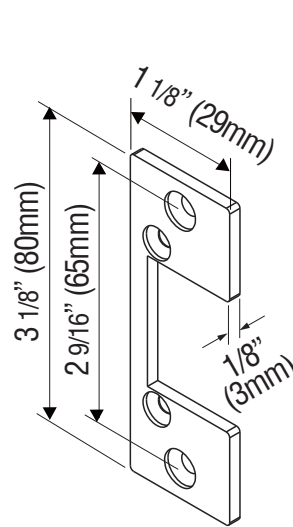
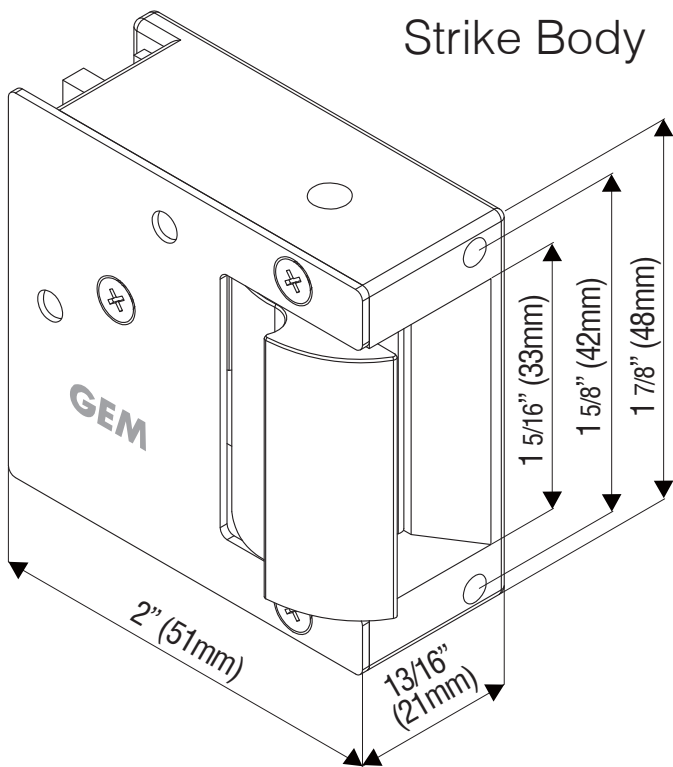
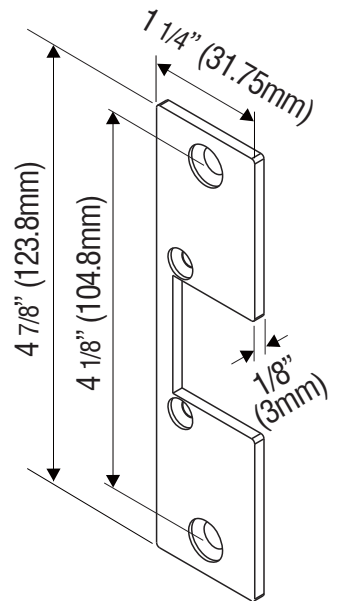


Dimension

GK250 and 2 Faceplate Options



P-FP-GK250
Faceplate



P-FP-GK251-US
Faceplate
(For ANSI jambs)

All dimensions in mm