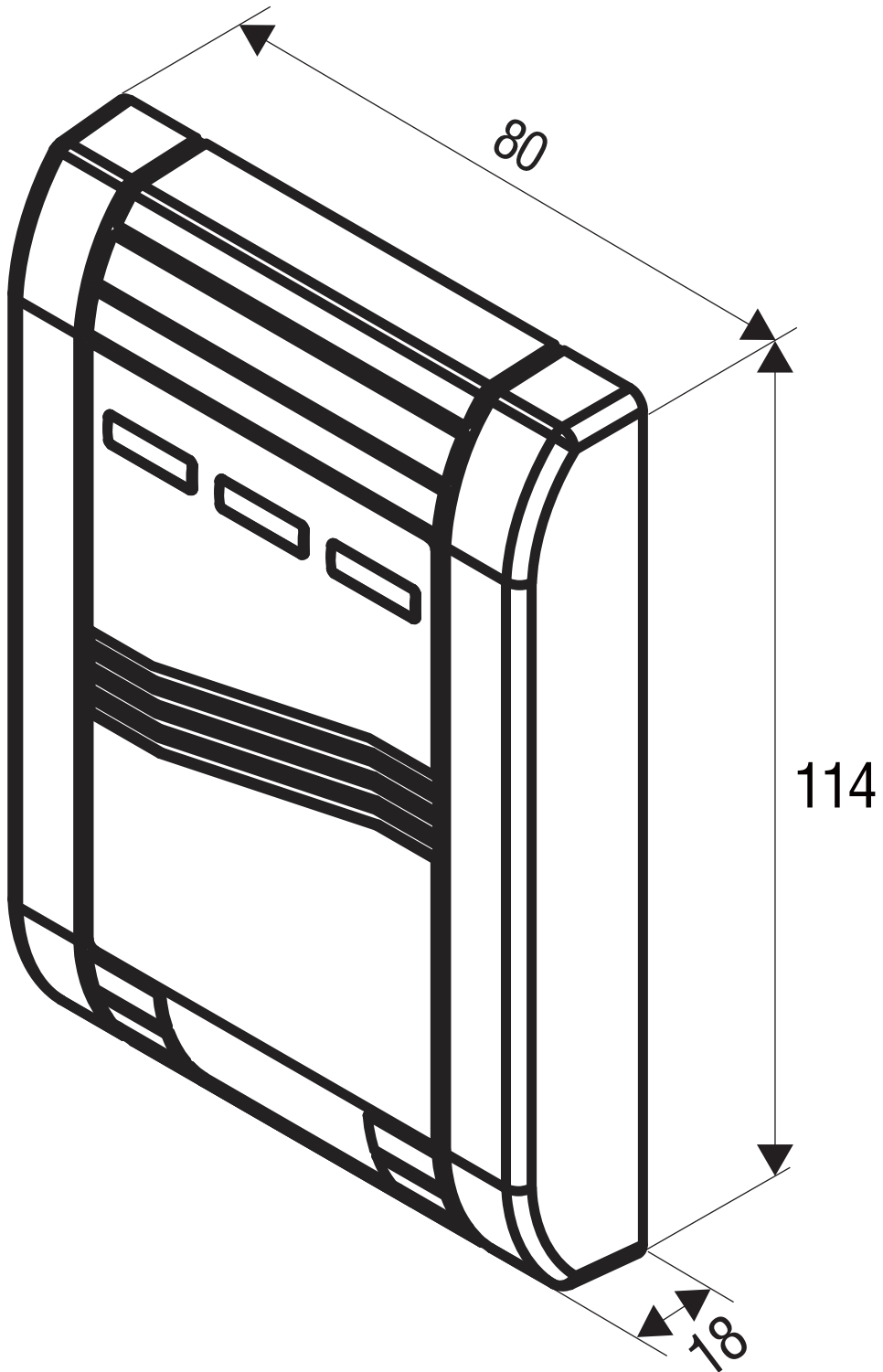


Dimension

Easiprox Plus



All dimensions in mm