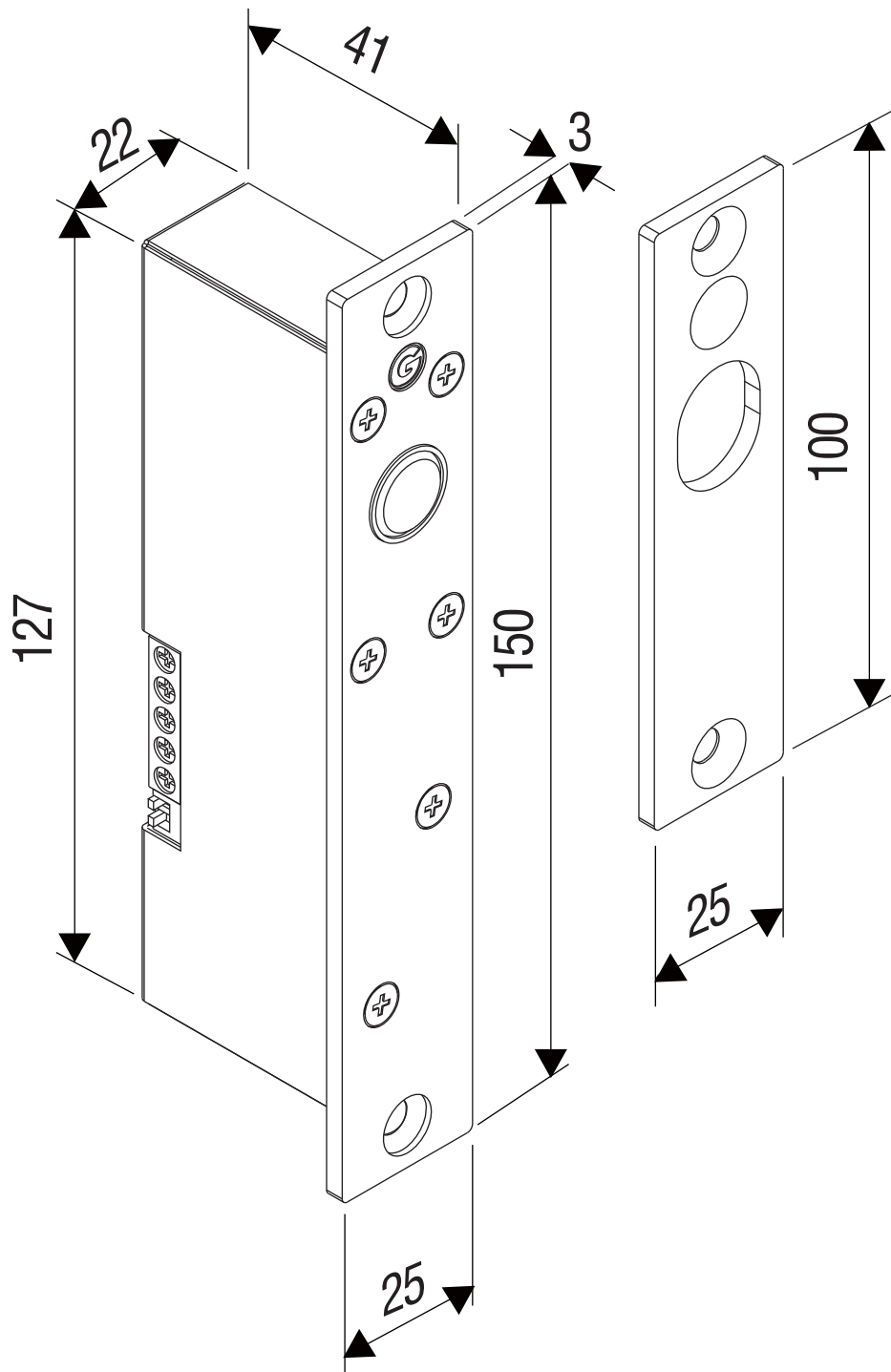


# Dimension

**EB175**



All dimensions in mm