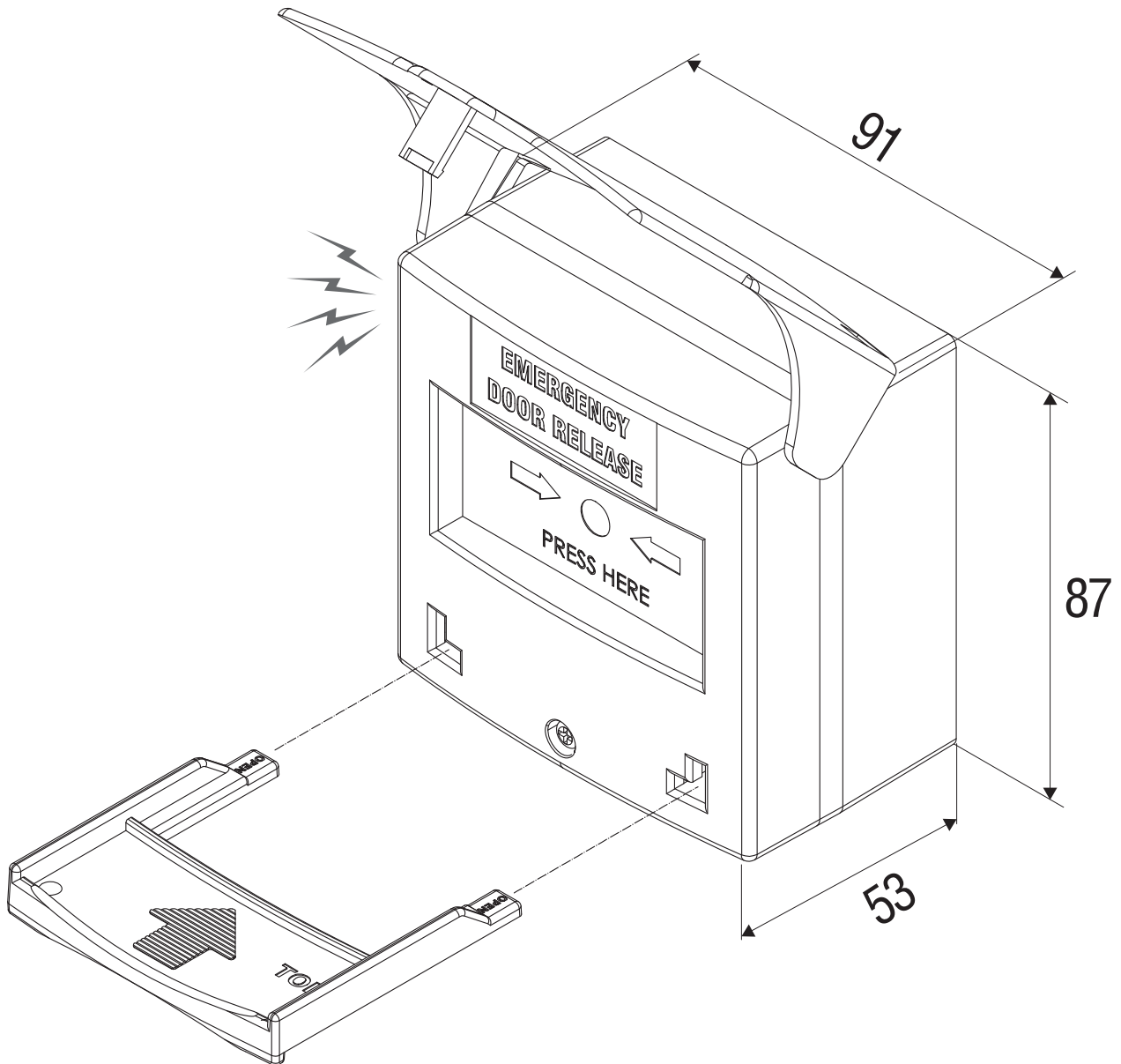


# Dimension

## CP-42 SERIES



All dimensions in mm