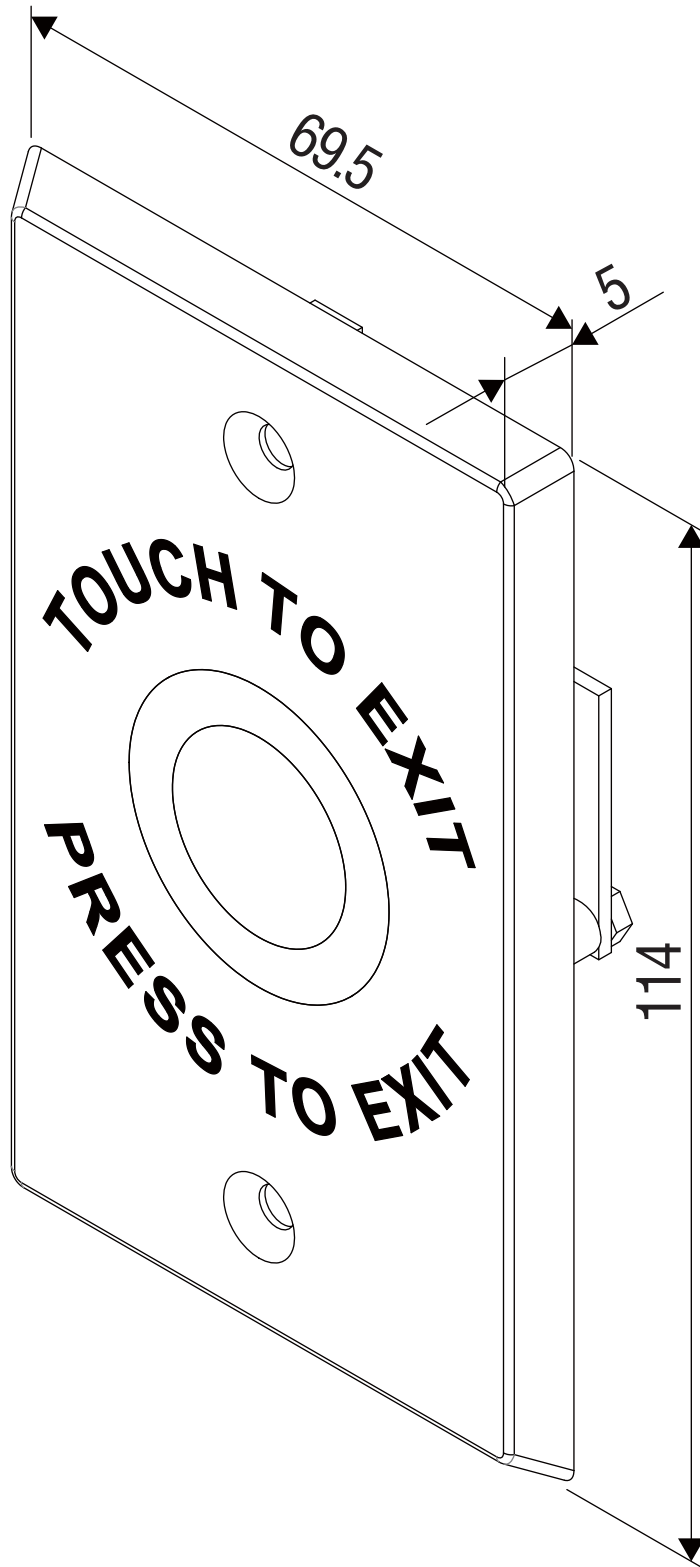


# Dimension

**BTS-400-ANSI**



All dimensions in mm