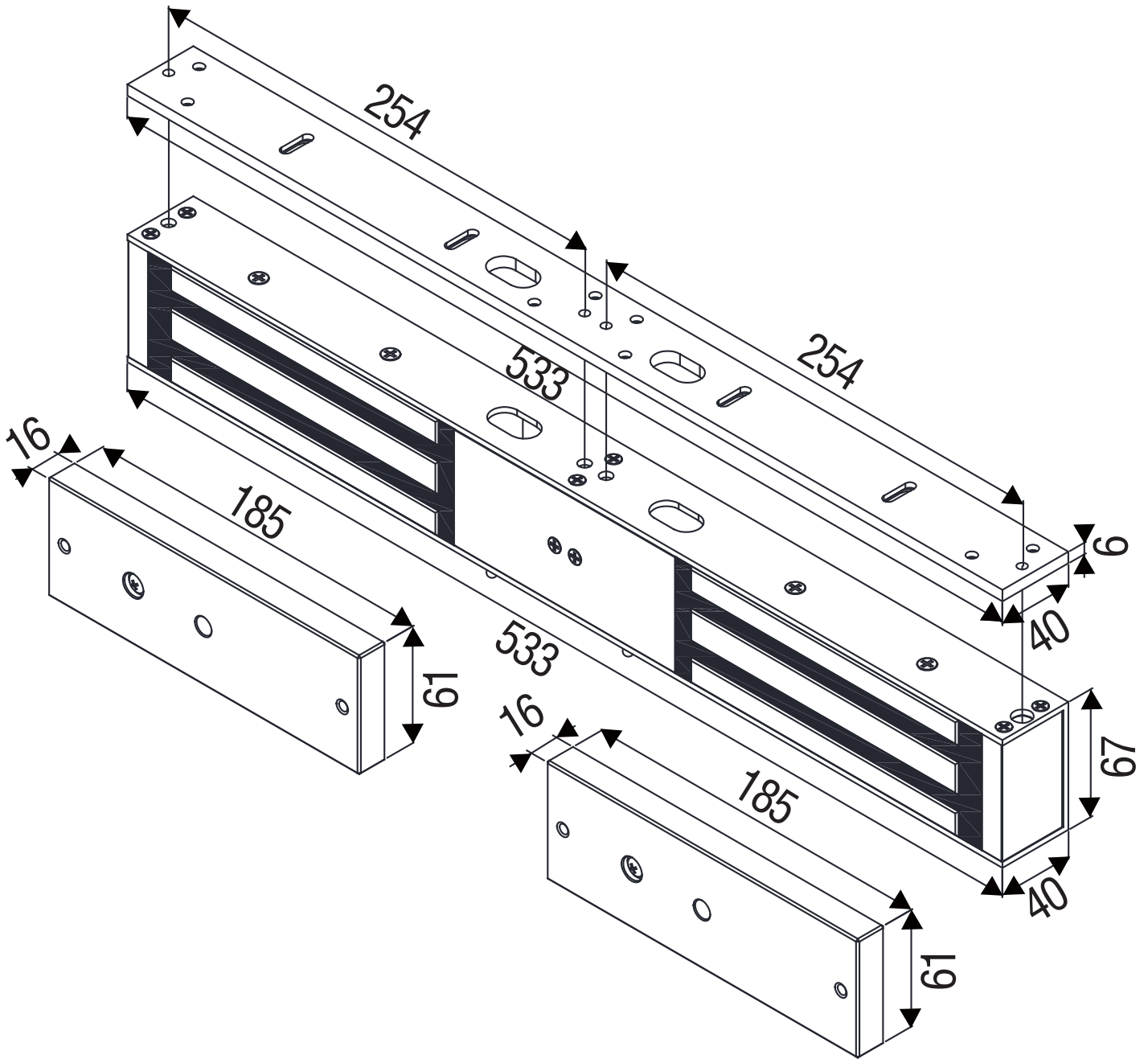


# Dimension

**10040-254/10060-254**



All dimensions in mm