

Electromagnetic Lock Mounting Brackets

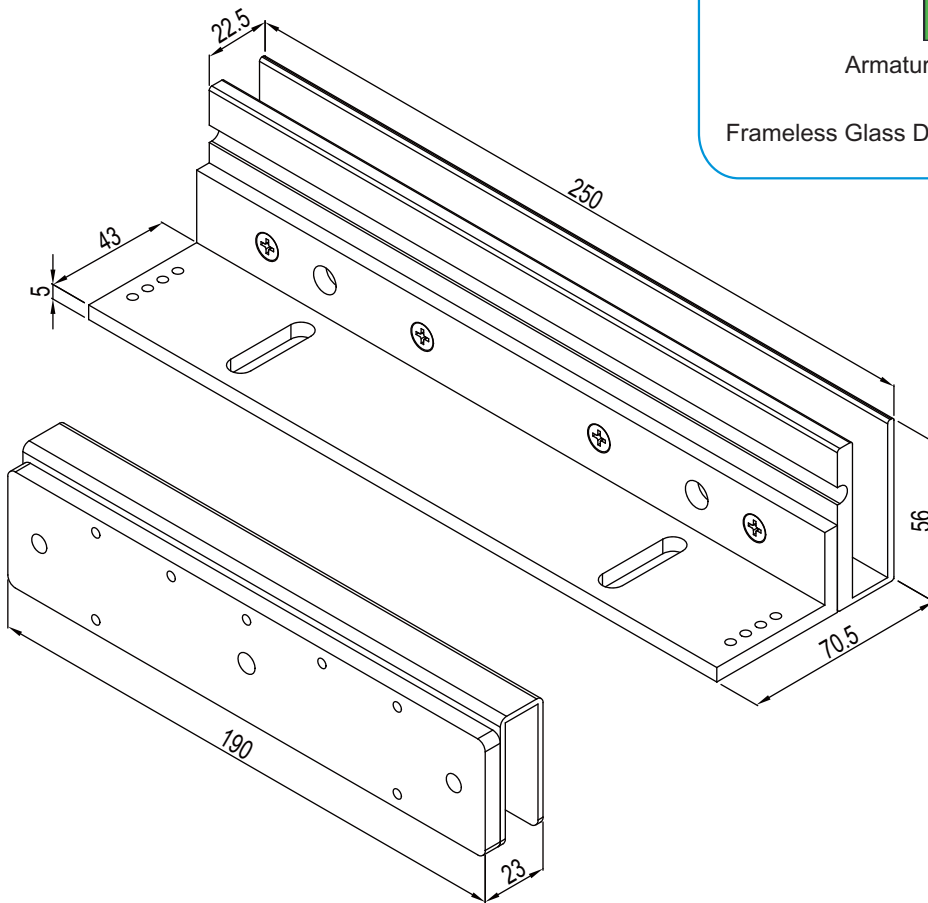
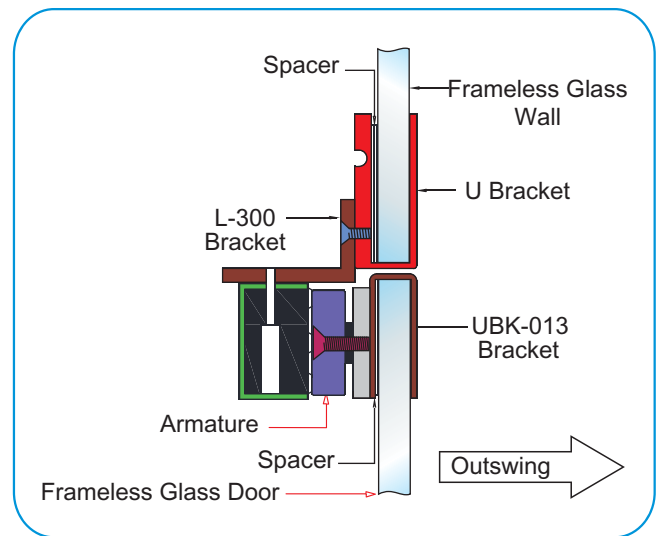
UBK-600-L

For frameless glass doors & walls

UBK-600-L consists of L-300, UBK-013 and U brackets and is used in conjunction with **10001** series electromagnetic locks. It allows installation on 10 to 12 mm thick glass doors and walls.

Features

- For use on outswing, frameless glass doors & glass walls
- Anodized aluminum finish (US28)
- Adjustable fixing positions



Unit: mm

Warranty

The product is warranted against defects in material and workmanship while used in normal service for a period of 3 years from the date of sale to the original customer. The GEM policy is one of continual development and improvement; therefore GEM reserves the right to change specifications without notice.

Electromagnetic Lock Mounting Brackets

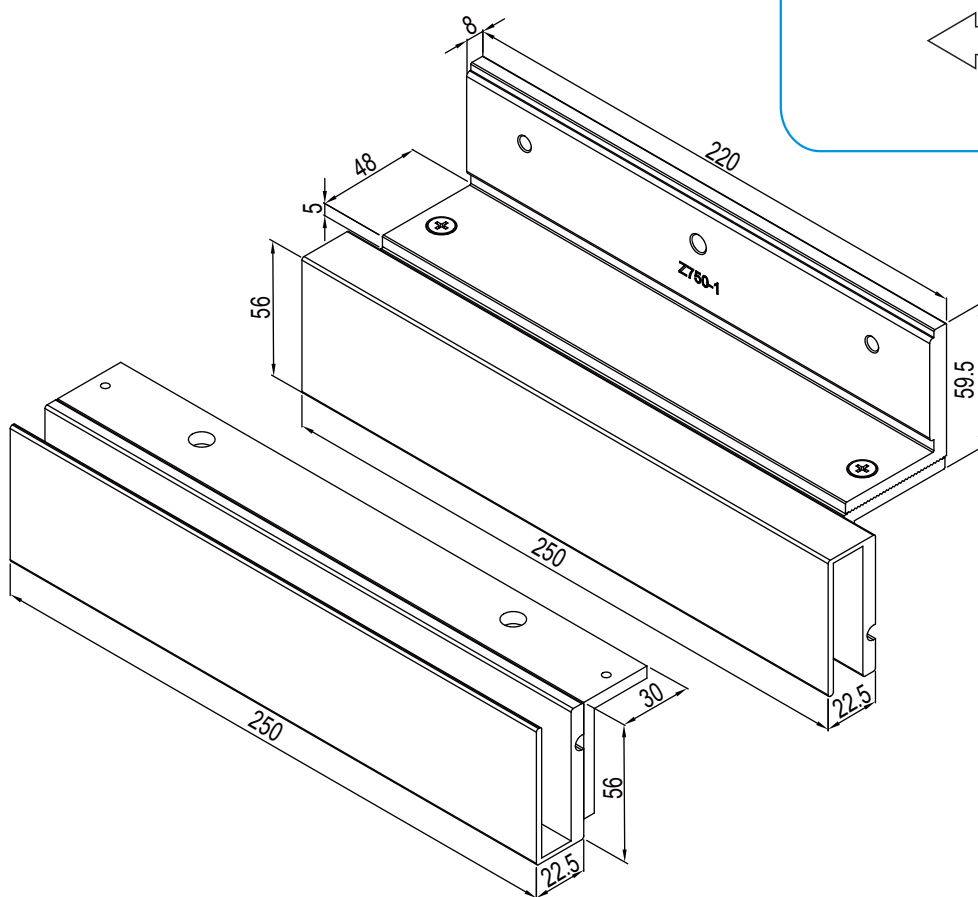
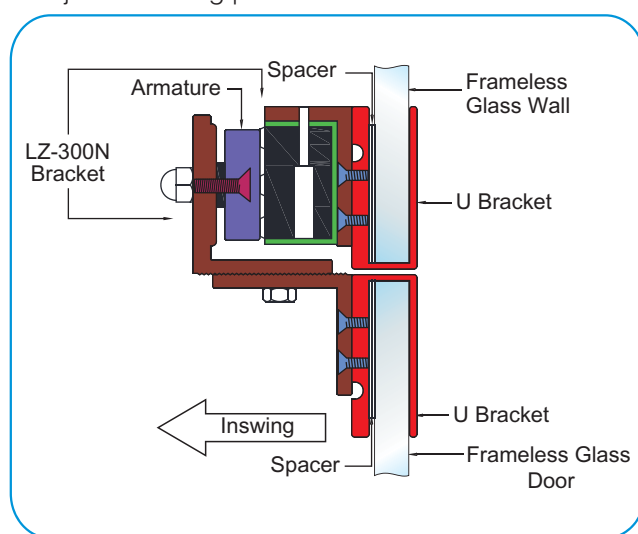
UBK-600-LZ

For frameless glass doors & walls

UBK-600-LZ consists of LZ-300N bracket and U brackets and is used in conjunction with **10001** series electromagnetic locks. It allows installation on 10 to 12 mm thick glass doors and walls.

Features

- For use on inswing, frameless glass doors & glass walls
- Anodized aluminum finish (US28)
- Adjustable fixing positions



Unit: mm

Warranty

The product is warranted against defects in material and workmanship while used in normal service for a period of 3 years from the date of sale to the original customer. The GEM policy is one of continual development and improvement; therefore GEM reserves the right to change specifications without notice.

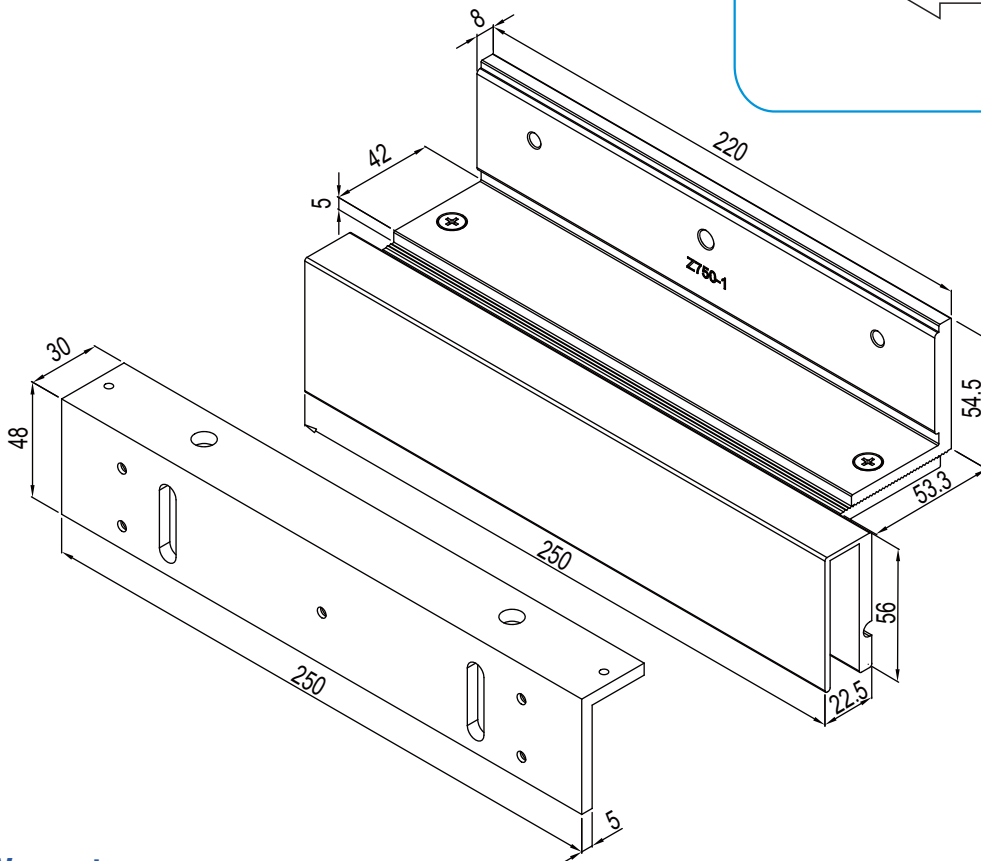
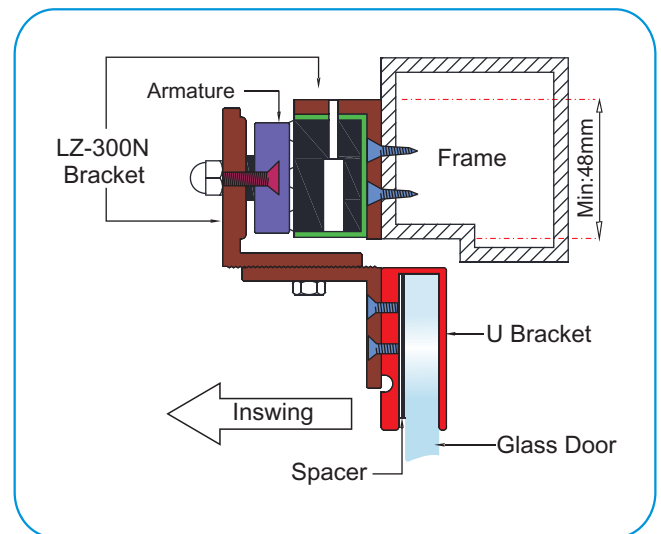
Electromagnetic Lock Mounting Brackets **UBK-600-Z**

For full glass doors

UBK-600-Z consists of LZ-300N bracket and U bracket and is used in conjunction with **10001** series electromagnetic locks. It allows installation on 10 to 12 mm thick glass doors.

Features

- For use on inswing, full glass doors
- Anodized aluminum finish (US28)
- Adjustable fixing positions



Unit: mm

Warranty

The product is warranted against defects in material and workmanship while used in normal service for a period of 3 years from the date of sale to the original customer. The GEM policy is one of continual development and improvement; therefore GEM reserves the right to change specifications without notice.

Electromagnetic Lock Mounting Brackets

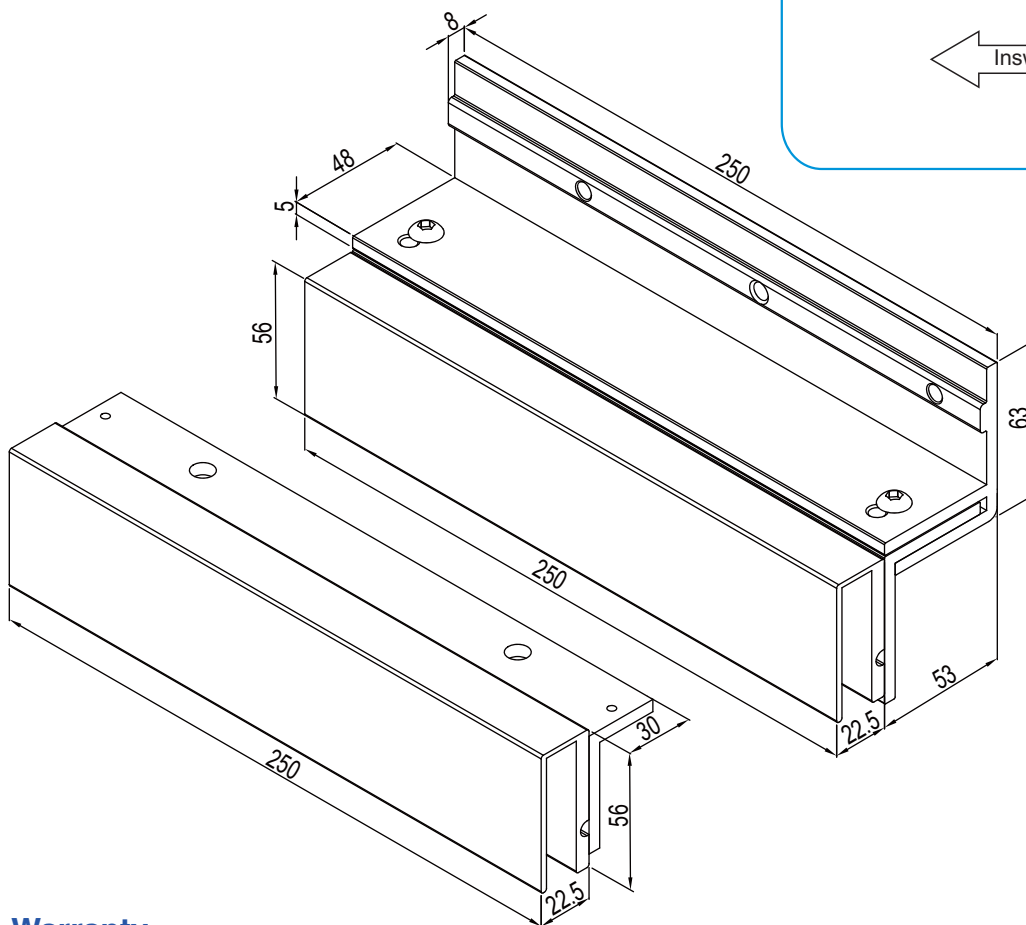
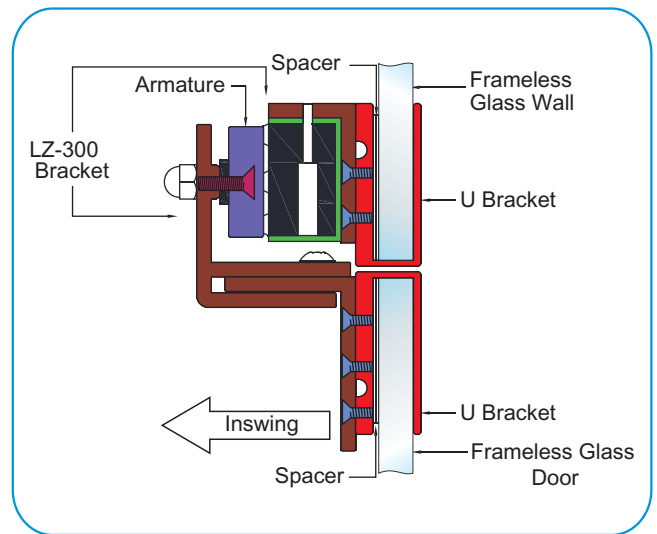
UBK-600F-LZ

For frameless glass doors & walls

UBK-600F-LZ consists of LZ-300 bracket and U brackets and is used in conjunction with **10001** series electromagnetic locks. It allows installation on 10 to 12 mm thick glass doors and walls.

Features

- For use on inswing, frameless glass doors & glass walls
- Anodized aluminum finish (US28)
- Adjustable fixing positions



Unit: mm

Warranty

The product is warranted against defects in material and workmanship while used in normal service for a period of 3 years from the date of sale to the original customer. The GEM policy is one of continual development and improvement; therefore GEM reserves the right to change specifications without notice.

Electromagnetic Lock Mounting Brackets

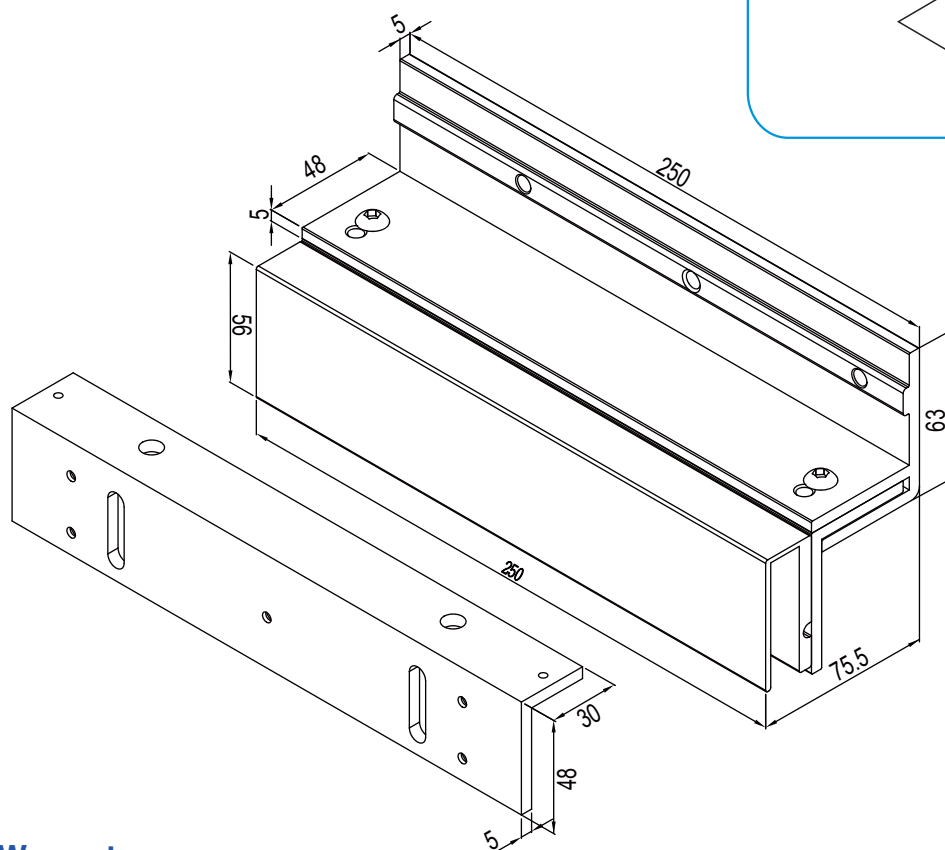
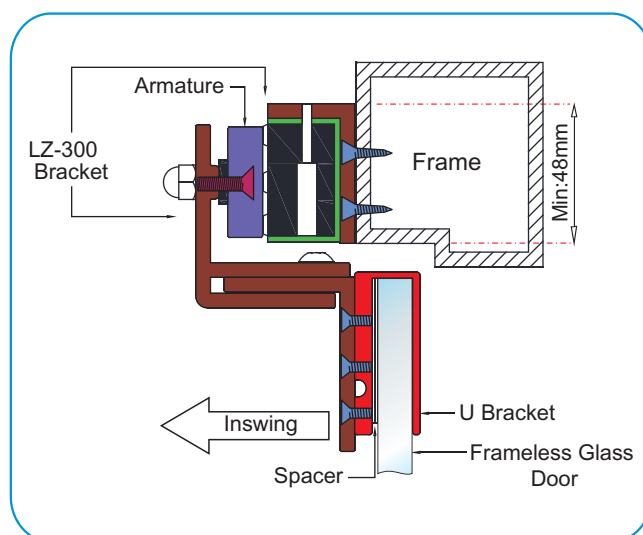
UBK-600F-Z

For full glass doors

UBK-600F-Z consists of LZ-300 bracket and U bracket and is used in conjunction with **10001** series electromagnetic locks. It allows installation on 10 to 12 mm thick glass doors.

Features

- For use on inswing, full glass doors
- Anodized aluminum finish (US28)
- Adjustable fixing positions



Unit: mm

Warranty

The product is warranted against defects in material and workmanship while used in normal service for a period of 3 years from the date of sale to the original customer. The GEM policy is one of continual development and improvement; therefore GEM reserves the right to change specifications without notice.

Electromagnetic Lock Mounting Brackets

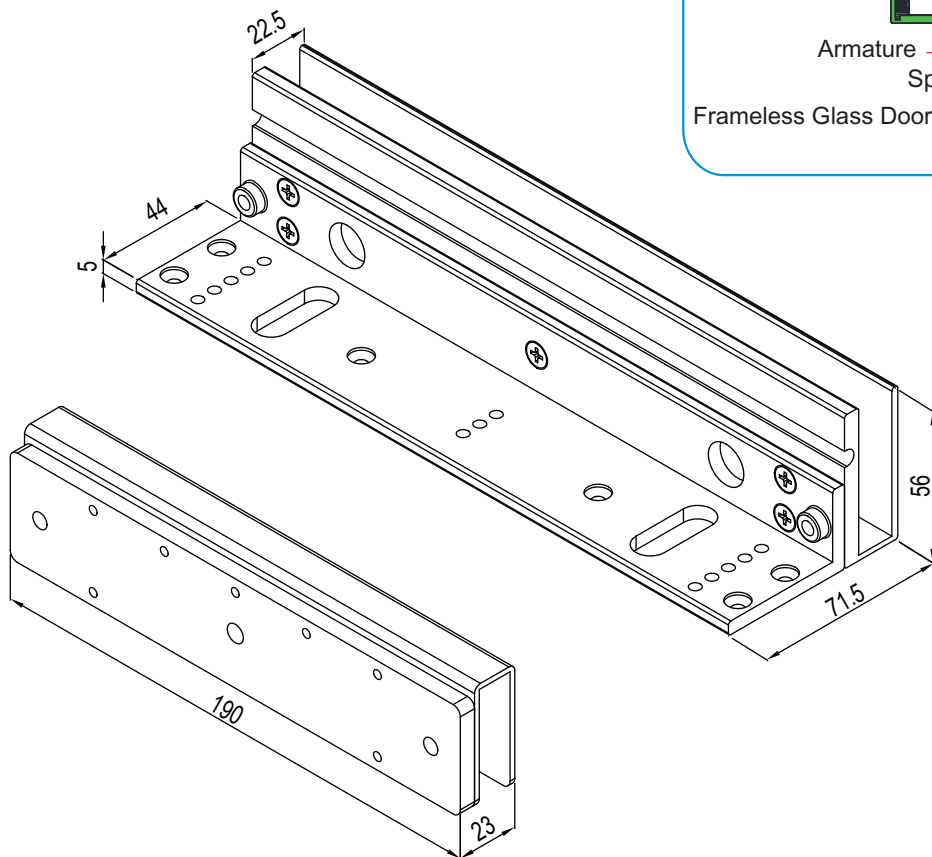
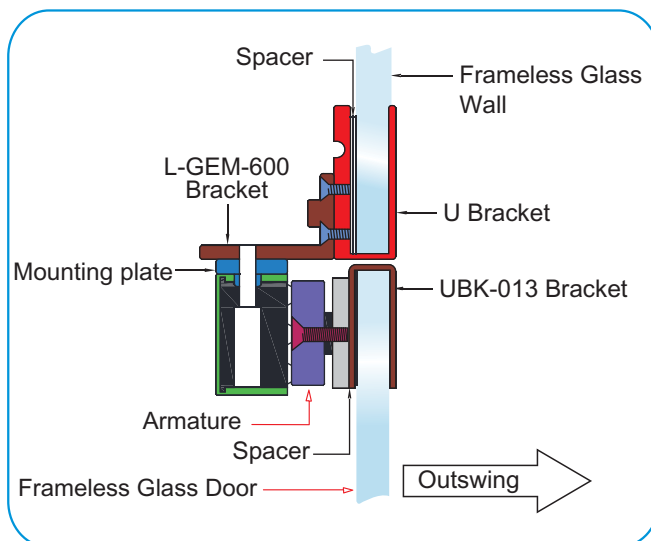
UBK-600G-L

For frameless glass doors & walls

UBK-600G-L consists of L-GEM-600, UBK-013 and U brackets and is used in conjunction with **GEM-600** electromagnetic locks. It allows installation on 10 to 12 mm thick glass doors and walls.

Features

- For use on outswing, frameless glass doors & glass walls
- Anodized aluminum finish (US28)
- Adjustable fixing positions



Unit: mm

Warranty

The product is warranted against defects in material and workmanship while used in normal service for a period of 3 years from the date of sale to the original customer. The GEM policy is one of continual development and improvement; therefore GEM reserves the right to change specifications without notice.

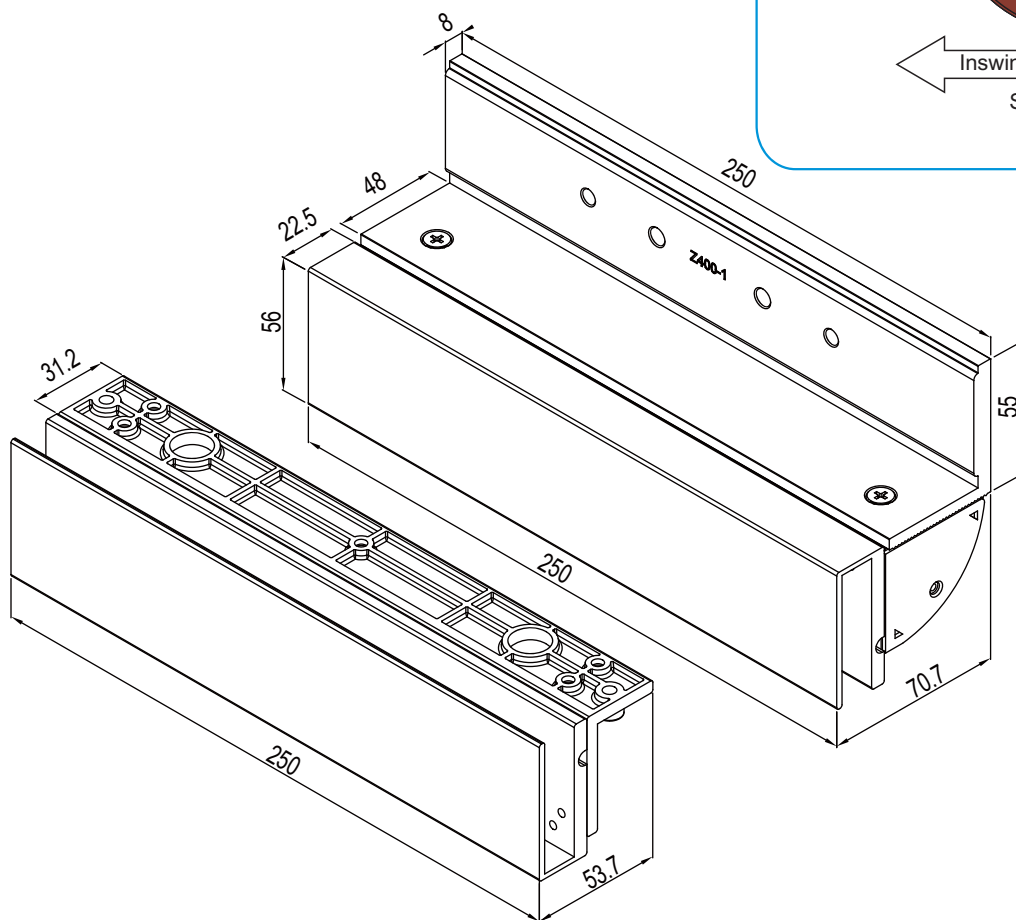
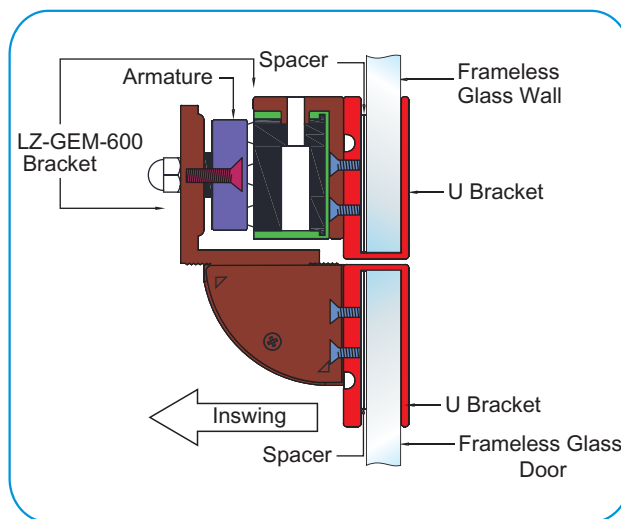
Electromagnetic Lock Mounting Brackets **UBK-600G-LZ**

For frameless glass doors & walls

UBK-600G-LZ consists of LZ-GEM-600 bracket and U brackets and is used in conjunction with **GEM-600** electromagnetic locks. It allows installation on 10 to 12 mm thick glass doors and walls.

Features

- For use on inswing, frameless glass doors & glass walls
- Anodized aluminum finish (US28)
- Adjustable fixing positions



Unit: mm

Warranty

The product is warranted against defects in material and workmanship while used in normal service for a period of 3 years from the date of sale to the original customer. The GEM policy is one of continual development and improvement; therefore GEM reserves the right to change specifications without notice.

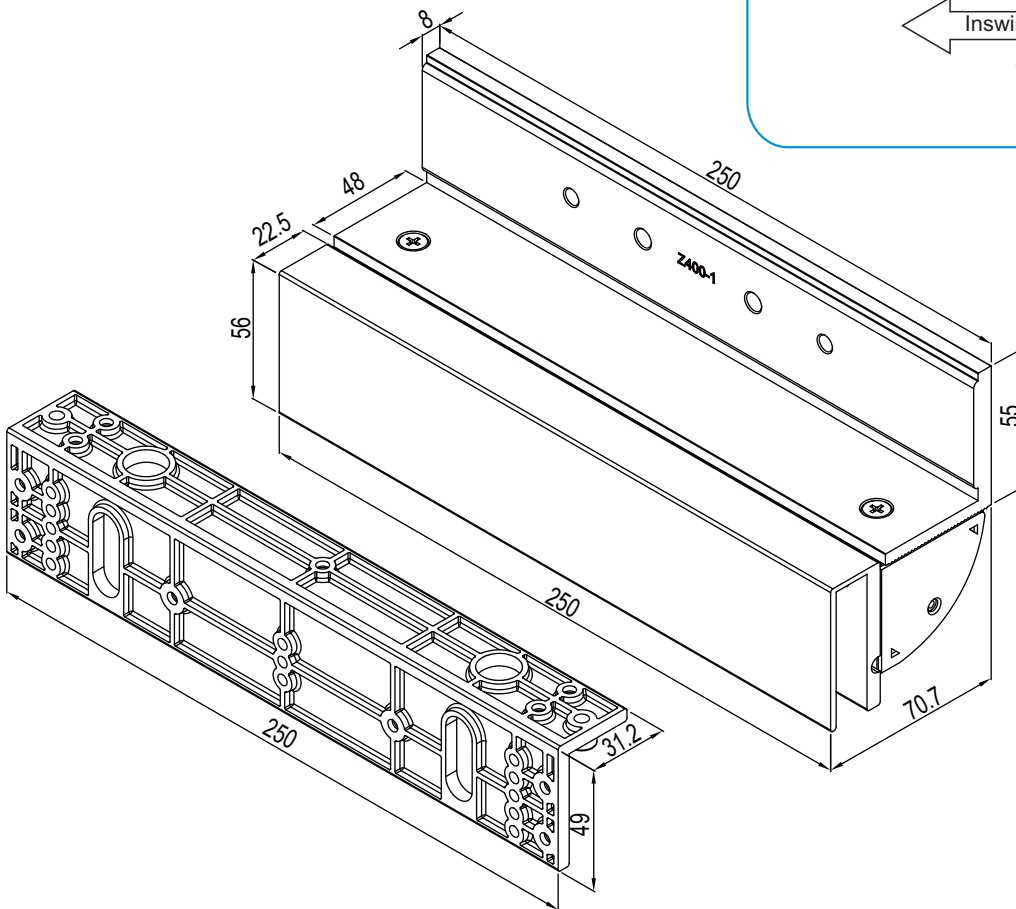
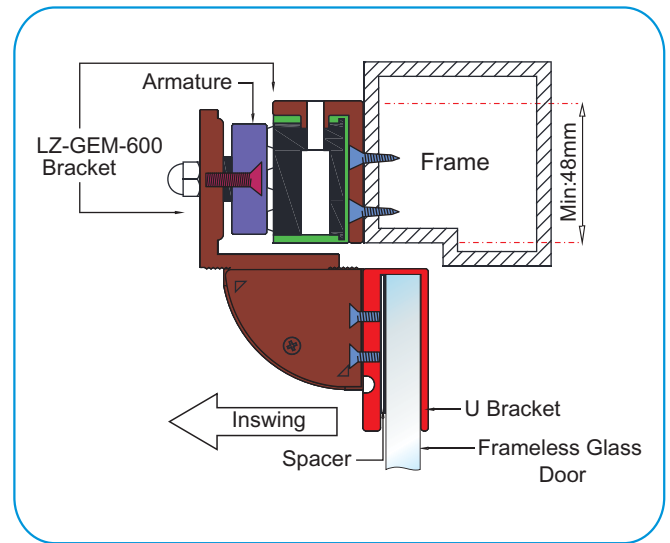
Electromagnetic Lock Mounting Brackets **UBK-600G-Z**

For full glass doors

UBK-600G-Z consists of LZ-GEM-600 bracket and U bracket and is used in conjunction with **GEM-600** electromagnetic locks. It allows installation on 10 to 12 mm thick glass doors.

Features

- For use on inswing, full glass doors
- Anodized aluminum finish (US28)
- Adjustable fixing positions



Unit: mm

Warranty

The product is warranted against defects in material and workmanship while used in normal service for a period of 3 years from the date of sale to the original customer. The GEM policy is one of continual development and improvement; therefore GEM reserves the right to change specifications without notice.

Electromagnetic Lock Mounting Brackets

UBK-600N-L

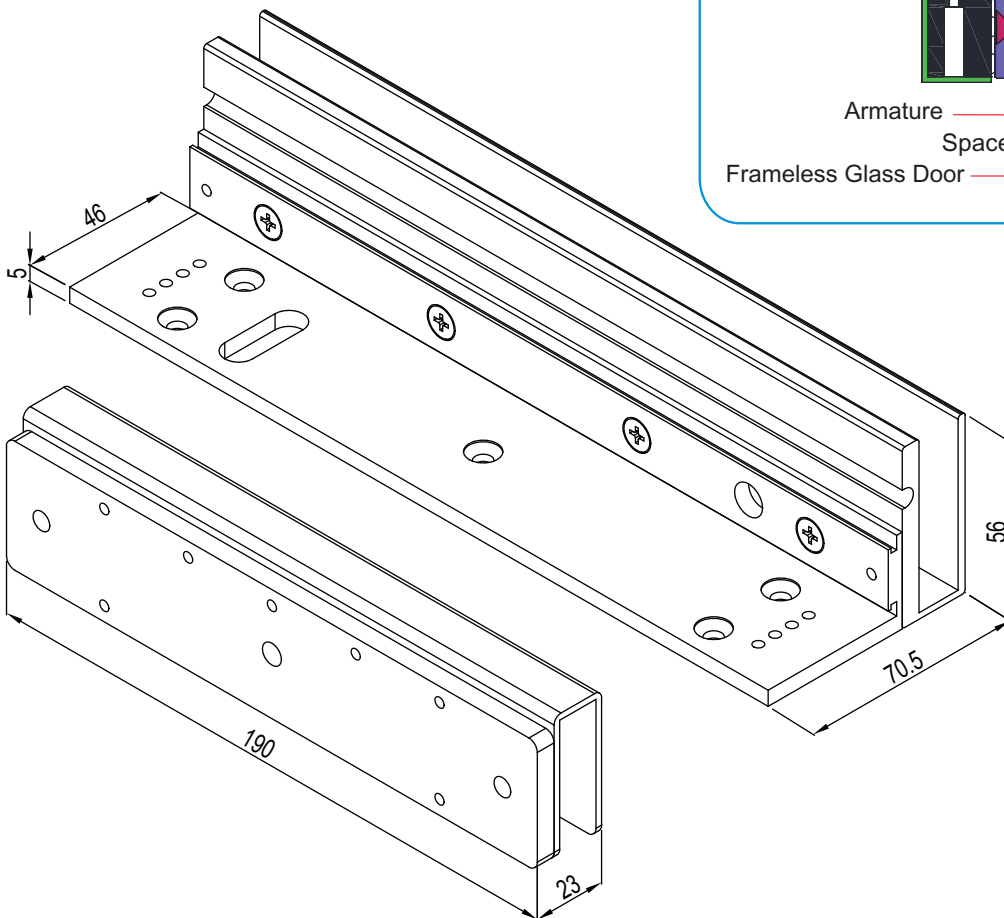
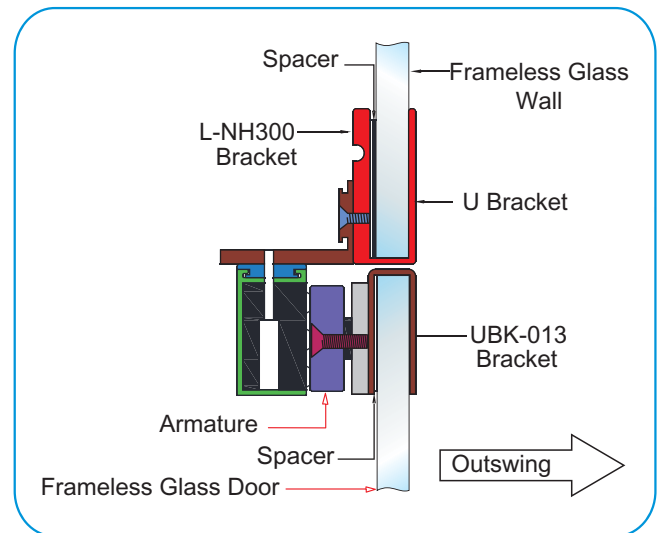
For frameless glass doors & walls

UBK-600N-L consists of L-NH300, UBK-013, and U brackets and is used in conjunction with **EM-NH300** electromagnetic locks. It allows installation on 10 to 12 mm thick glass doors and walls.



Features

- For use on outswing, frameless glass doors & glass walls
- Anodized aluminum finish (US28)
- Adjustable fixing positions



Unit: mm

Warranty

The product is warranted against defects in material and workmanship while used in normal service for a period of 3 years from the date of sale to the original customer. The GEM policy is one of continual development and improvement; therefore GEM reserves the right to change specifications without notice.

Electromagnetic Lock Mounting Brackets

UBK-600N-LZ

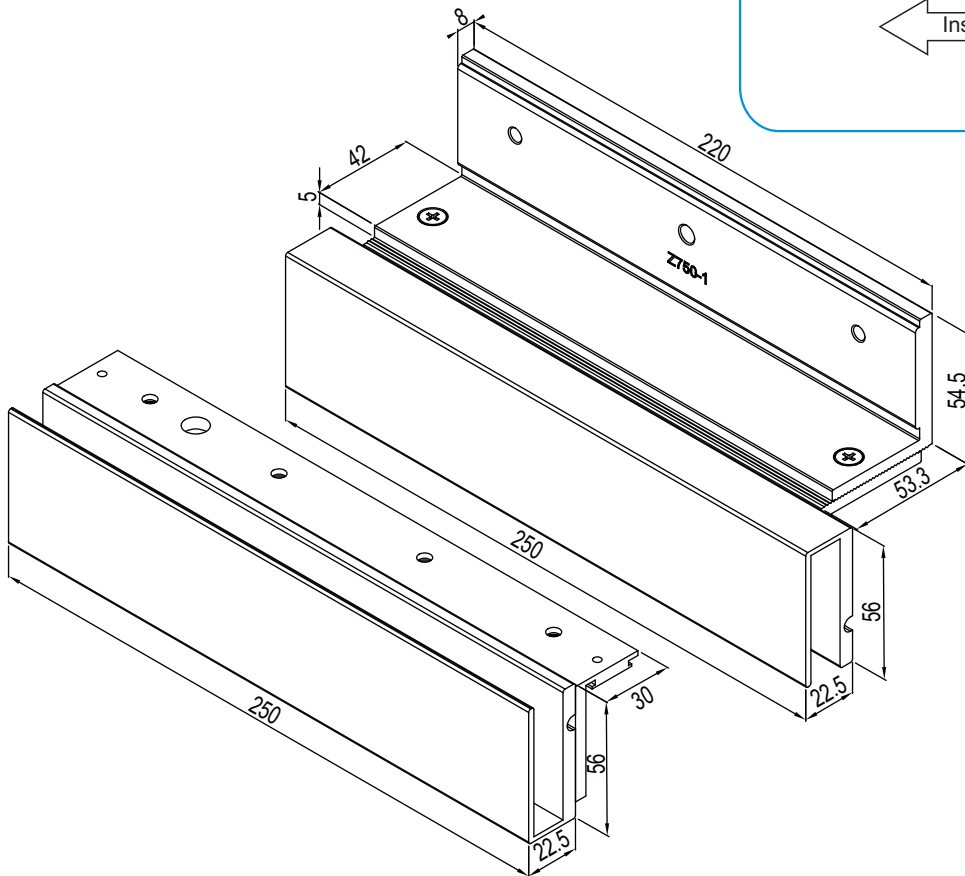
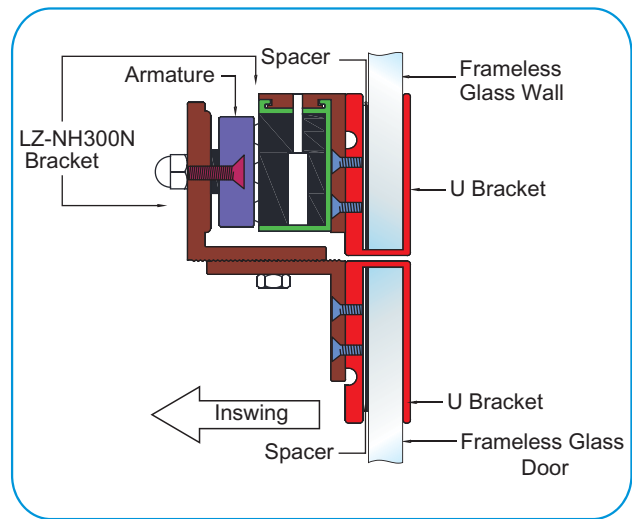
For frameless glass doors & walls



UBK-600N-LZ consists of LZ-NH300N bracket and U brackets and is used in conjunction with **EM-NH300** electromagnetic locks. It allows installation on 10 to 12 mm thick glass doors and walls.

Features

- For use on inswing, frameless glass doors & glass walls
- Anodized aluminum finish (US28)
- Adjustable fixing positions



Unit: mm

Warranty

The product is warranted against defects in material and workmanship while used in normal service for a period of 3 years from the date of sale to the original customer. The GEM policy is one of continual development and improvement; therefore GEM reserves the right to change specifications without notice.

Electromagnetic Lock Mounting Brackets

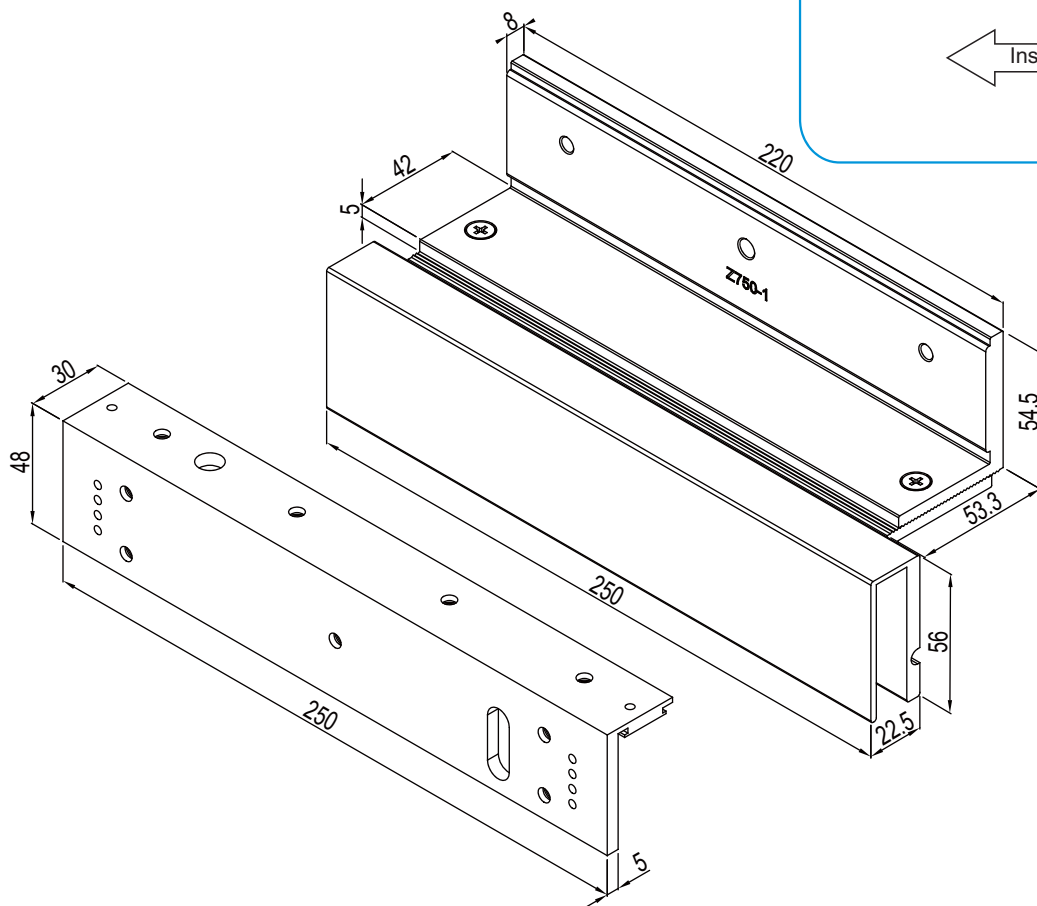
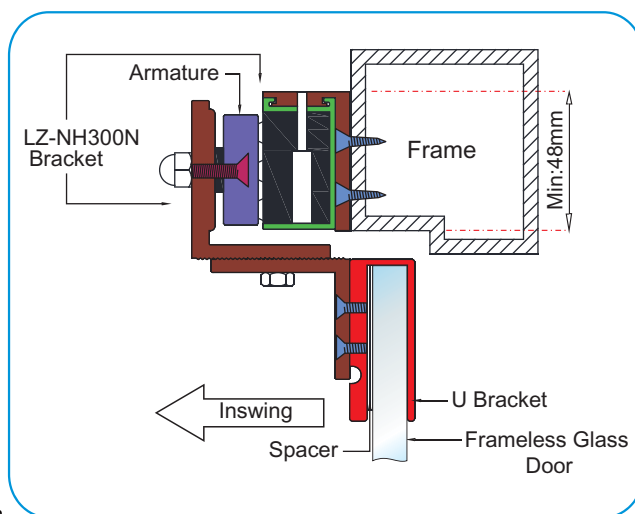
UBK-600N-Z

For full glass doors

UBK-600N-Z consists of LZ-NH300N bracket and U bracket and is used in conjunction with **EM-NH300** electromagnetic locks. It allows installation on 10 to 12 mm thick glass doors.

Features

- For use on inswing, full glass doors
- Anodized aluminum finish (US28)
- Adjustable fixing positions



Unit: mm

Warranty

The product is warranted against defects in material and workmanship while used in normal service for a period of 3 years from the date of sale to the original customer. The GEM policy is one of continual development and improvement; therefore GEM reserves the right to change specifications without notice.