

Electric Locks

Secure, Durable Locks and Preload Solution



ML-350M



ML-350MVGL

BMTRADA

FIRE Tested BSEN 1634-1: 2014
and BSEN 1363-1: 2012

BS EN 14846

NF S 61-937



The GEM family of European electric locks are high performance locks for double swing doors. The ML-300-SW comes with a key cylinder as an option, and also the bolt deadlocks automatically when the door is closed to be secured.

Preload

The ML-350/360 Series has a robust stainless steel construction and is designed with its **high preload release capability**. It opens electrically with up to 500lbs of preload that allows smooth operation under varying loads on the doors and overcomes door preload problems, such as air-conditioning pressure, warped doors, or heavy weather stripping seals.

Standard Features

- For double swing doors
- For narrow frames
- Brushed stainless steel faceplate

Other Features

- Field reversible fail-safe or fail-secure (For ML-210N-SW series/ML-300-SW)
- Lock and latch monitor (For ML-350M/360M series)
- Optional key/thumbturn override (For ML-300/301-SW)

Patents, Approvals, and Listings

- CE: EN14846: 3Y5-0G101 (ML-350M/360M)
- CE: EC303155 (ML-350M/360M)
- CE: EC9D3005 (ML-300/210)
- CE: EC451107 (ML-350M/ML-360M/ML-350MVGL 12/24VDC)
- CE: EC451108 (ML-350M/ML-360M/ML-350MVGL 24/48VDC)
- NF S 61-937 compliant (ML-350/360)
- Patented in China (ML-300/210)
- Patented in US (ML-300/210)
- Fire resistance tested to BS EN 1634-1: 2014 and BS EN 1363-1: 2012 (ML-350M)



GIANNI INDUSTRIES, INC.

Tel: +886-2-2267-7986 Fax: +886-2-2267-9876
www.gianni.com.tw inquiry1@gianni.com.tw

Electric Locks

Models	Voltage	Current Draw	Lock Monitor	Door Status Monitor	Installation Direction	Fail-Safe	Reversible Fail-Safe Or Fail-Secure	Optional Accessory	Pre-Load (Side Load) 500 lbs.	Fire-Rated
ML-210N-SW ML-210N-SW-VGL ML-211-SW	12 to 24 VDC/AC	250mA/12VDC 150mA/24VDC	● —	—	Horizontal or Vertical	—	●	—	—	—
ML-300-SW ML-301-SW	12 to 24 VDC/AC	250mA/12VDC 150mA/24VDC	● —	—	Vertical	—	●	Cylinder Key	—	—
ML-350M ML-360M ML-350MVGL	12/24 VDC	300mA/12VDC 150mA/24VDC	●	●	Horizontal or Vertical	●	—	—	●	ML-350M only
ML-350M ML-360M ML-350MVGL	24/48 VDC	150mA/24VDC 75mA/48VDC	●	●	Horizontal or Vertical	●	—	—	●	ML-350M only



ML-210N-SW
ML-211-SW



ML-300-SW
ML-301-SW
Optional key/thumbturn override



ML-350(M)
Includes 5 stainless steel filler plates to compensate for wider door gaps (Ideal door gap no more than 5 mm)



ML-360(M)
ML-350(M) lock and surface mount stainless steel housing



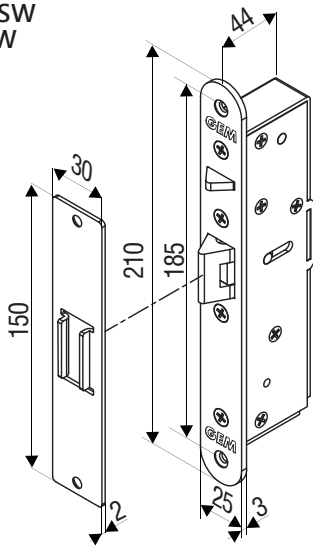
ML-210N-SW-VGL
ML-210N-SW lock, SMB-210 surface mount bracket and UBK-210 glass mount bracket



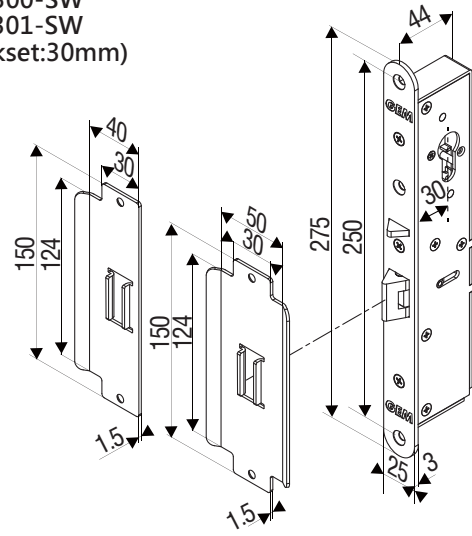
ML-350MVGL
ML-350M lock and glass mount brackets (For frameless glass doors & walls)

Dimensions

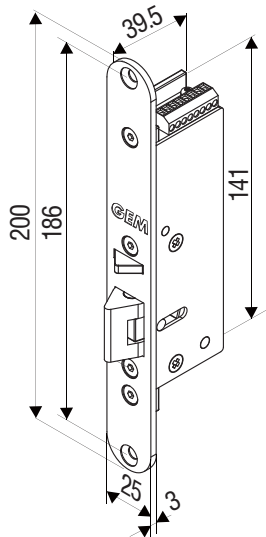
ML-210N-SW
ML-211-SW



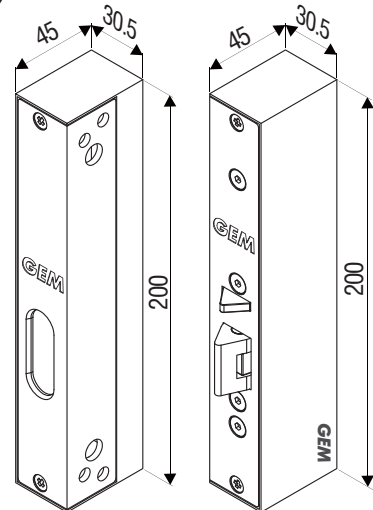
ML-300-SW
ML-301-SW
(Backset:30mm)



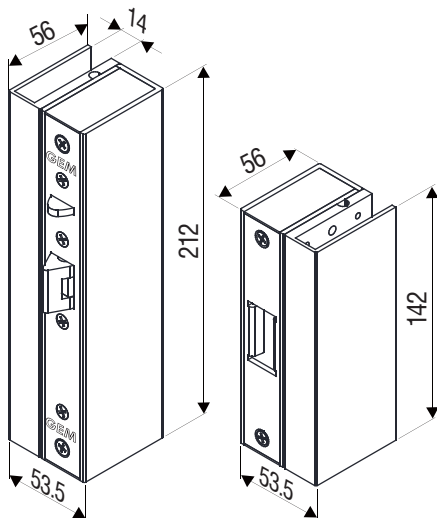
ML-350(M)



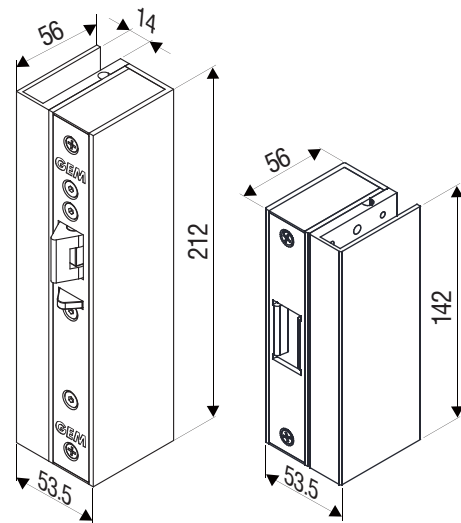
ML-360(M)



ML-210N-SW-VGL
ML-211-SW-VGL



ML-350MVGL



All dimensions in mm

Optional Cylinder & Key Accessories (For ML-300/301-SW)

ECY-72S

Euro-profile thumbturn cylinder
(Overall 72mm long, for maximum
door leaf depth of 52mm)



ECY-72D

Euro-profile double cylinder
(Overall 72mm long, for maximum door leaf
depth of 52mm)



Warranty

The product is warranted against defects in material and workmanship while used in normal service for a period of 1 year from the date of sale to the original client. The GEM policy is one of continual development and improvement; therefore GEM reserves the right to change specifications without notice.