

For Frameless Glass Doors & Walls

GLZ-EM150 Bracket Kit

L, Z, & U Brackets and Spacers Included

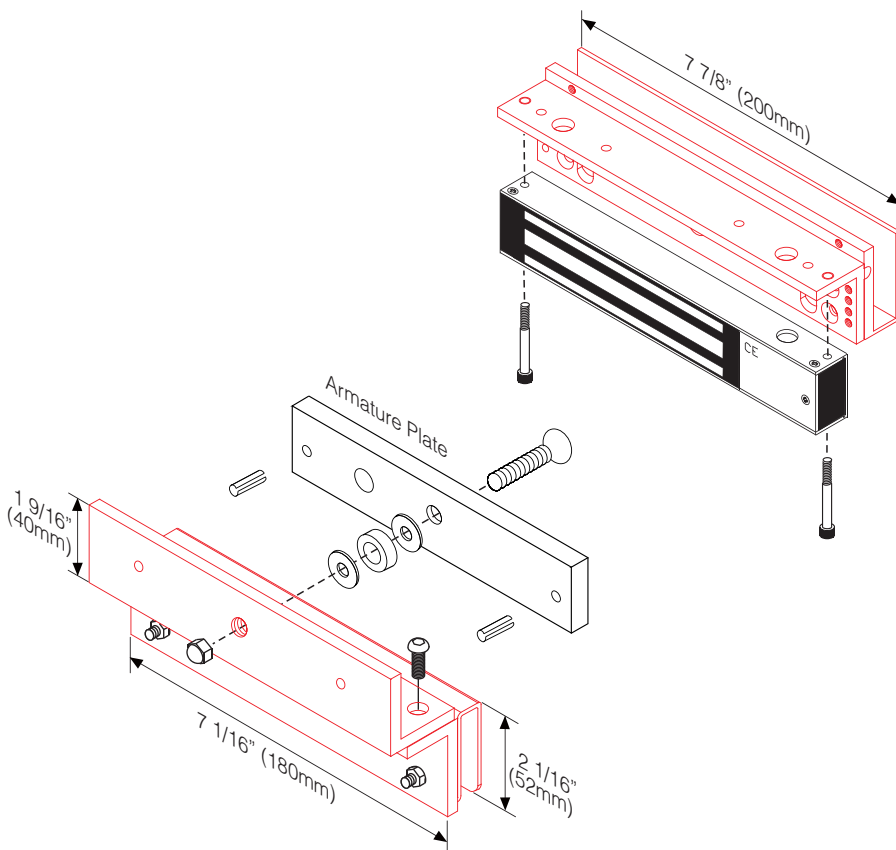
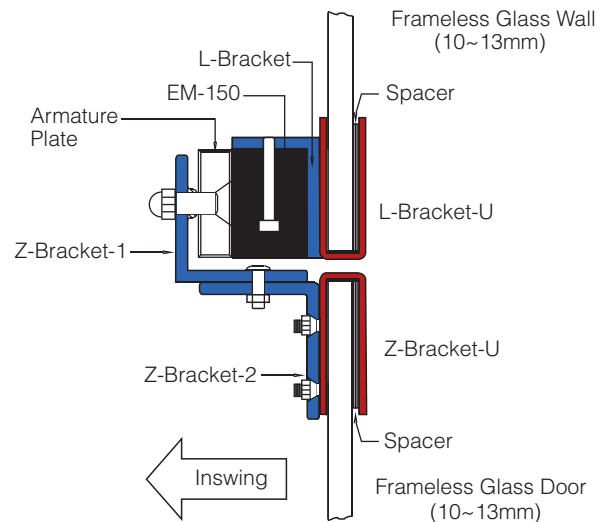


Install the EM-150 magnetic lock with GLZEM150 bracket kit for inswing, frameless glass door application.



(Magnetic lock is not included)

Application of the Electromagnet: EM-150



GIANNI INDUSTRIES, INC.

Tel: +886-2-2267-7986 Fax: +886-2-2267-9876
www.gianni.com.tw inquiry1@gianni.com.tw