

# Electric Strikes

## GK700 Series

Durable Strikes for Residential and Business



**GK750N**



**GK760**



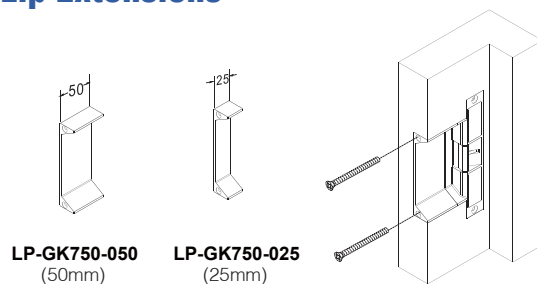
**GK770**

The GK700 series European electric strike is designed for use with European latches or cylindrical locks and can be installed in metal or wood frames. It includes a latch monitor and is field reversible for fail-safe or fail-secure operation. The GK760/770 is recommended for use in wood frames.

### Standard Features

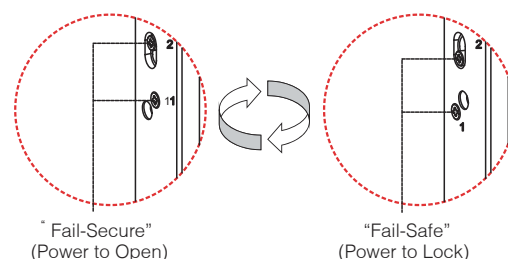
- Field reversible fail-safe or fail-secure
- Non-handed fully reversible
- Brushed stainless steel finish
- Latch monitor (Except GK770)
- Accommodates 18mm latchbolt
- Zinc alloy construction
- Static strength 1,500 lbs (680Kg)
- Endurance 1,000,000 cycles

### Optional Accessories Lip Extensions



### Changing Fail-Safe /Fail-Secure

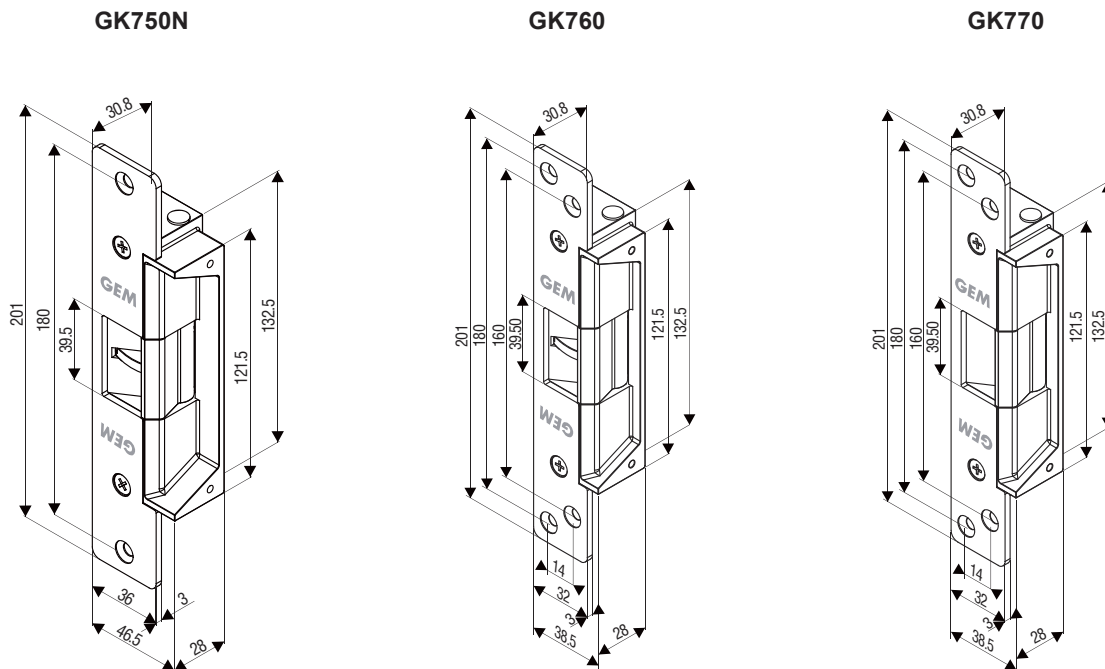
Fail-safe or fail-secure is field reversible by changing the position of screws.



## GK700 Series European Electric Strikes

Models	Voltage (VDC/AC)	Latch Monitor	Latch Monitor	Latch Throw (mm)	Field Reversilbe Fail-Safe Or Fail-Secure
<b>GK750N</b>	12~28	230mA/12VDC, 140mA/28VDC 440mA/12VAC, 230mA/28VAC	●	18	●
<b>GK760</b>	12~28	230mA/12VDC, 140mA/28VDC 440mA/12VAC, 230mA/28VAC	●	18	●
<b>GK770</b>	12~28	230mA/12VDC, 140mA/28VDC 440mA/12VAC, 230mA/28VAC	—	18	●

## Dimensions



All dimensions in mm

### Warranty

The product is warranted against defects in material and workmanship while used in normal service for a period of 3 years from the date of sale to the original client. The GEM policy is one of continual development and improvement; therefore GEM reserves the right to change specifications without notice.