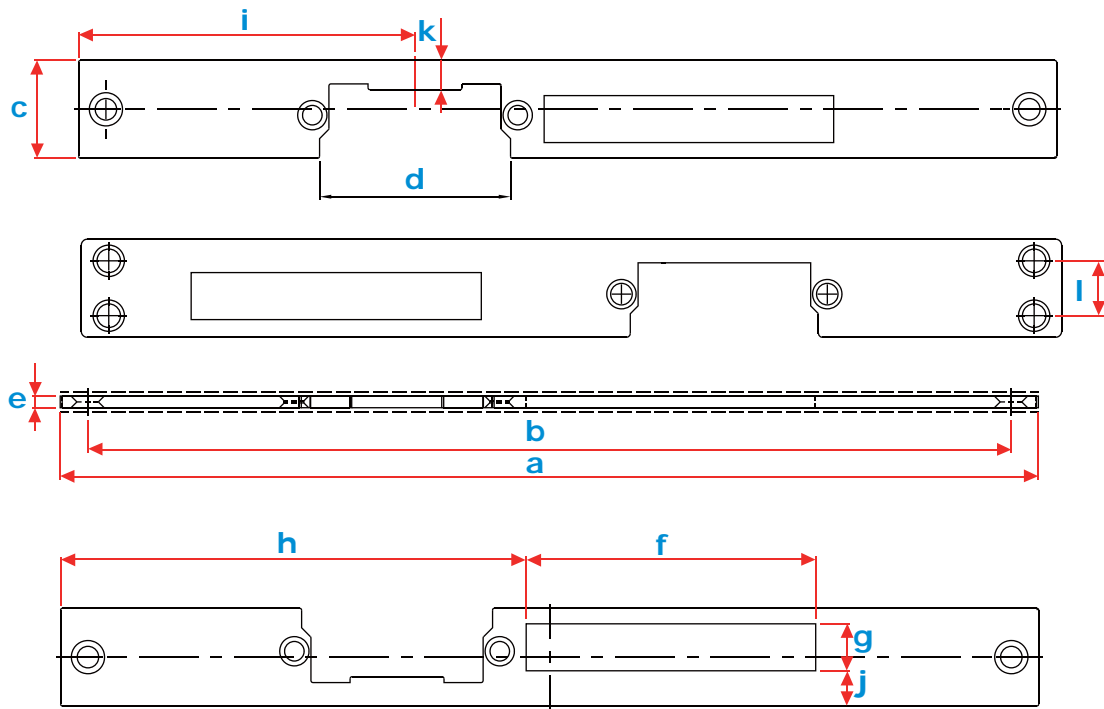


## GK500 European Series Faceplate Options(Long Faceplates)



### Long Faceplate Options

For use with Euro profile sash locks

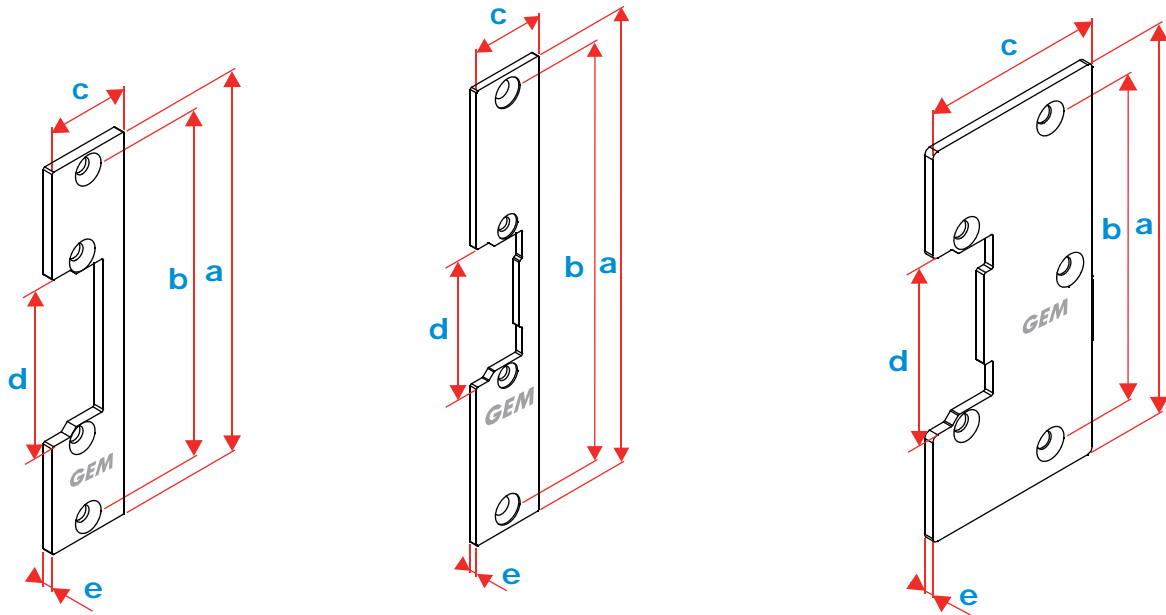


1. FP-GK250-SS
2. FP-GK250-MT
3. FP-GK250-G3-SS
4. FP-GK250-G4-SS
5. FP-GK250-G6-SS

**SS:** Stainless steel  
**MT:** Grey powder coat

	1	2	3	4	5
	Measurement (mm)				
a	250	250	250	250	250
b	236	236	236	226	236
c	25	25	24	21.8	25
d	48	48	48	48	48
e	3	3	3	3	3
f	74	74	74	84.9	74
g	12	12	12	14	12
h	148	148	148	136.2	119
i	86	86	86	86	86
j	8.5	8.5	8	3.8	9
k	6	6	7	4.2	7.5
l	14	14	—	—	—

# GK500 European Series Faceplate Options(Short Faceplates)



## Short Faceplate Options

For use with Euro profile nightlatches/mortise latches or rim nightlatches



**6. FP-GK110-G5-SS**

**7. FP-GK110-SS**

**8. FP-GK160-SS**

**9. FP-GK160-MT**

**10. FP-GK106-SS**

**11. FP-GK106-MT-GEM**

**SS:** Stainless steel

**MT:** Grey powder coat

	6	7	8/9	10/11
Measurement (mm)				
a	110	110	160	106
b	90	100	146.5	88.5
c	24	24	25.4	50.2
d	48	48	48.5	48
e	2.5	3	2.5	2.5
Locksets				
Type	Mortise Latches	Mortise Latches	Mortise Latches	Rim Nightlatches

### Warranty

The product is warranted against defects in material and workmanship while used in normal service for a period of 1 years from the date of sale to the original client. The GEM policy is one of continual development and improvement; therefore GEM reserves the right to change specifications without notice.