

# Online Networked System / Standalone

## ST-640E

### Multi-Function Networked Access Controller



**485-T0-USB**  
Optional RS485  
Converter (For  
Computer USB port)



**485-T0-TCPIP**  
Optional RS485  
Converter (For  
computer TCP/IP port)

**ST-640E**  
Standalone/Online  
Proximity Keypad Controller

### ST-640E Features

- 1000 users, 4 digit PIN codes
- Auto rest function
- Security system settings enabled /disabled
- Synchronizes with security system
- Anti-passback
- 3 Access modes: Card **only**, Card **or** Card, and Card **with** Code
- Alarm outputs: Duress, Door Ajar, Forced Entry
- Red, green and yellow LEDs for status and programming feedback
- Request to Exit input and door sensor input
- Timed relay outputs or latching (on/off)
- Management system software included
- Mounts to ANSI standard surface or recessed single-gang boxes

### ST-640E Specifications

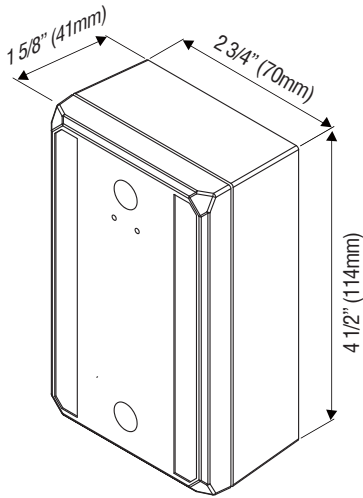
<b>Voltage</b>	12 VDC
<b>Keypad Output</b>	26-bit/34-bit Wiegand
<b>Read Range</b>	10 ~15 cm
<b>Proximity Frequency</b>	EM 125KHz
<b>Temperature</b>	23°F ~140°F (-5°C~+60°C)
<b>Humidity</b>	5% ~95% Non-condensing
<b>Color</b>	Navy blue
<b>Dimensions</b>	Surface mount: 4 1/2" x 2 3/4" x 1 5/8" (114 W x 70 H x 41 D mm)
<b>Interface</b>	RS485

# Optional Proximity Readers

## Standard Prox Reader

### GEMPROX-640EM-BA

- Voltage: 10~14 VDC
- Current: 50mA/12VDC
- Frequency: EM125 KHz (EM-400x chip compatible)
- Output: 26/34 bit Wiegand
- Read Range: 10 cm
- Housing Material: Plastic ABS
- Color: Navy Blue



**GEMPROX-640EM**

## Mullion Prox Readers

### GEMPROX-26M

- Voltage: 7~12VDC
- Current: 100mA/12VDC
- Frequency: Mifare 13.56 MHz
- Reader Output: 26 bit Wiegand
- Read Range: 7 cm
- Color: Black /White



**GEMPROX-26M**



**GEMPROX-E**



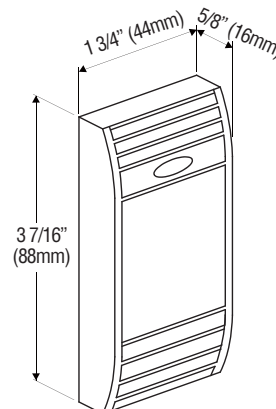
**714-60**

### GEMPROX-E

- Voltage: 12VDC
- Current: 50mA/12VDC
- Frequency: EM125KHz
- Reader Output: 26 bit Wiegand
- Temperature: -20~+70°C
- Humidity: 5~95% non-condensing
- Read Range: 6 cm
- Color: Black /White

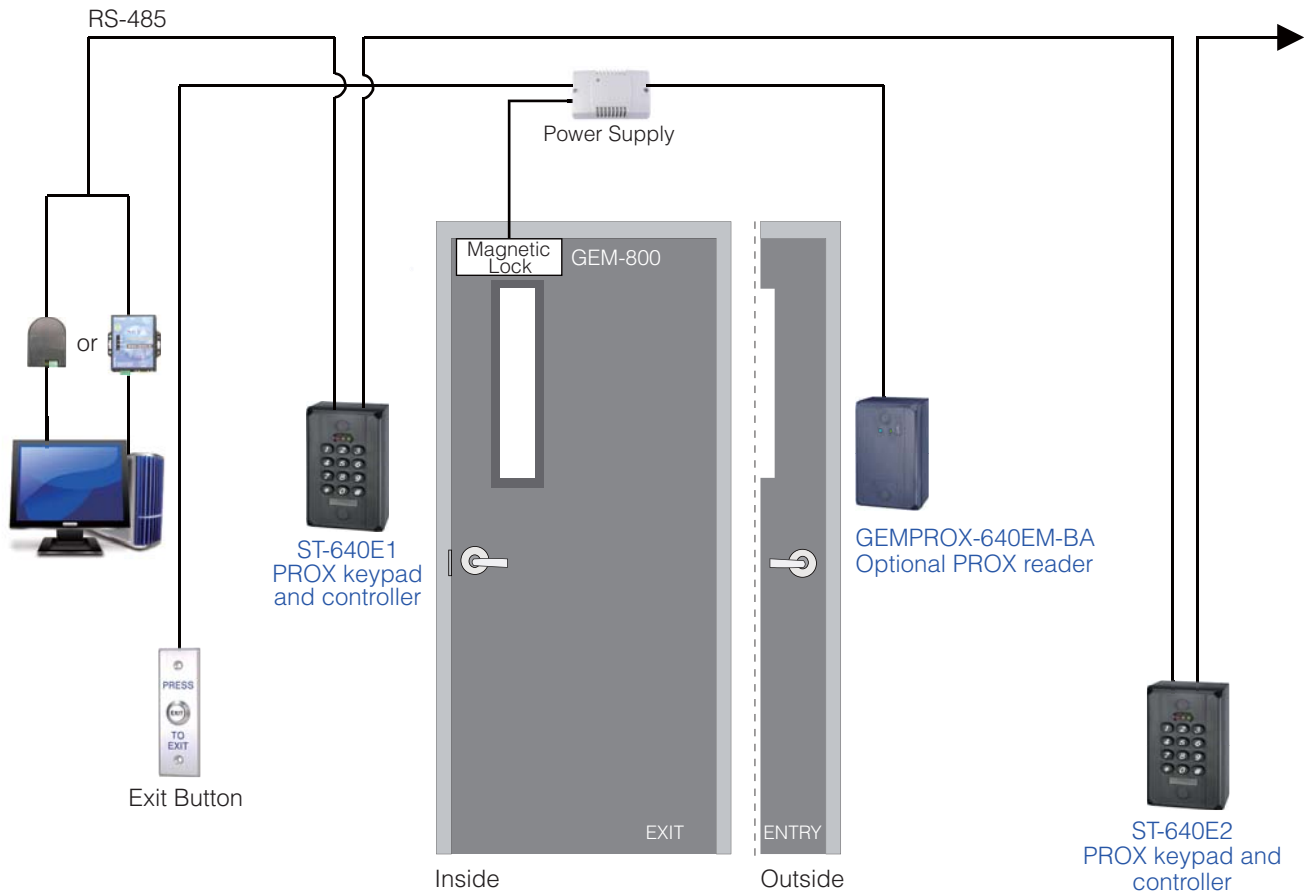
### 714-60

- Voltage: 5~13.6 VDC
- Reader Output: 26/34/44 bit Wiegand
- Frequency: Mifare 13.56 MHz
- Color: Black



# Networked Access Control System Architecture

ST-640E networked access control system is expandable and connects up to 254 ST-640E controllers with built-in RS485 interface. The maximum wiring distance is up to 500 meters.



## Warranty

The product is warranted against defects in material and workmanship while used in normal service for a period of 1 year from the date of sale to the original client. The GEM policy is one of continual development and improvement; therefore GEM reserves the right to change specifications without notice.