

Electromagnetic Lock

KH500DE

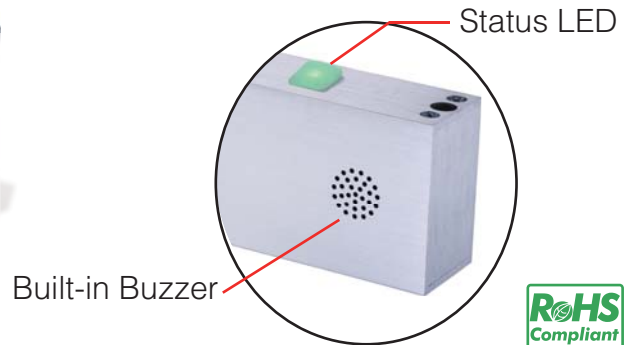
Simple Delayed Egress Solution



EMERGENCY EXIT
PUSH UNTIL
ALARM SOUNDS

DOOR CAN BE OPENED IN
15 SECONDS

Door sign included



The KH500DE Delayed Egress Electromagnetic Lock with Key Hole Mounting is easy to install and designed to meet NFPA 101 Life Safety Code. It is a self-contained, standalone locking device that can be retrofitted to existing systems or new construction.

The KH500DE provides controlled egress for perimeter and emergency exit doors. In an armed state, an audible alarm sounds to delay unauthorized exit for 15 or 30 seconds, allowing security and personnel to respond to the door. In an emergency, the lock immediately releases and allows free egress.

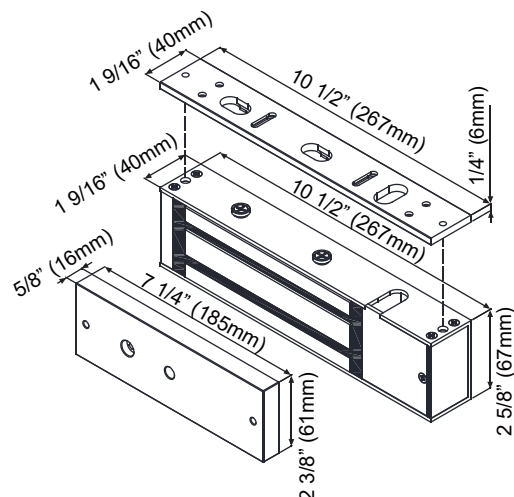
Features & Functions

- Automatic voltage selection 12/24 VDC
- Easy installation with adjustable keyhole mounting plate
- Field selectable 0-3 second nuisance delay
- Field selectable 15 or 30 second exit delay
- LED indication with buzzer alerts

Applications

- **Commercial Centers/Retail Stores**
Discourage customer shoplifting or employee theft
- **Hospitals/Healthcare Facilities**
Prevent patients to leave their premises
- **Public Transportation**
Control pedestrian traffic in airports or train stations
- **Schools/Childcare**
Deter abduction or delinquency

Specifications	
Input Voltage	12/24 VDC automatic selectable
Current Draw (Standalone operation)	500mA / 12VDC, 250mA / 24VDC
Holding Force	1200 lbs
Inputs	Activation, Reset, Bypass, Emergency release
Alarm Relay Output	1A/24VDC maximum
Status LED	Green (Armed), Red (Disarmed)
Internal Buzzer	95 dB
Finish	Anodized aluminum (US28)



KH500DE Delayed Egress Magnetic Lock

Single Door Application



1 Locking Device

KH500DE

Delayed egress magnetic lock with keyhole mounting plate

2 Power Supply



PSM-28T

Convenient plug-in mounting

3 Micro Switch Push Bar



PBA-1860

Mechanical release with LED indication

4 Key Switch



KS-750LD-S-C

Single gang stainless steel faceplate

5 Access Control



DG-160 PLUS

Mullion mounted, Bluetooth access control prox reader/keypad

6 Emergency Release



CP-32R

European style, resettable call point

7 Power Transfer (Choose one)



DL-360TB

Surface armored loop with terminal boards



DL-417ST-TB

Concealed loop with terminal boards